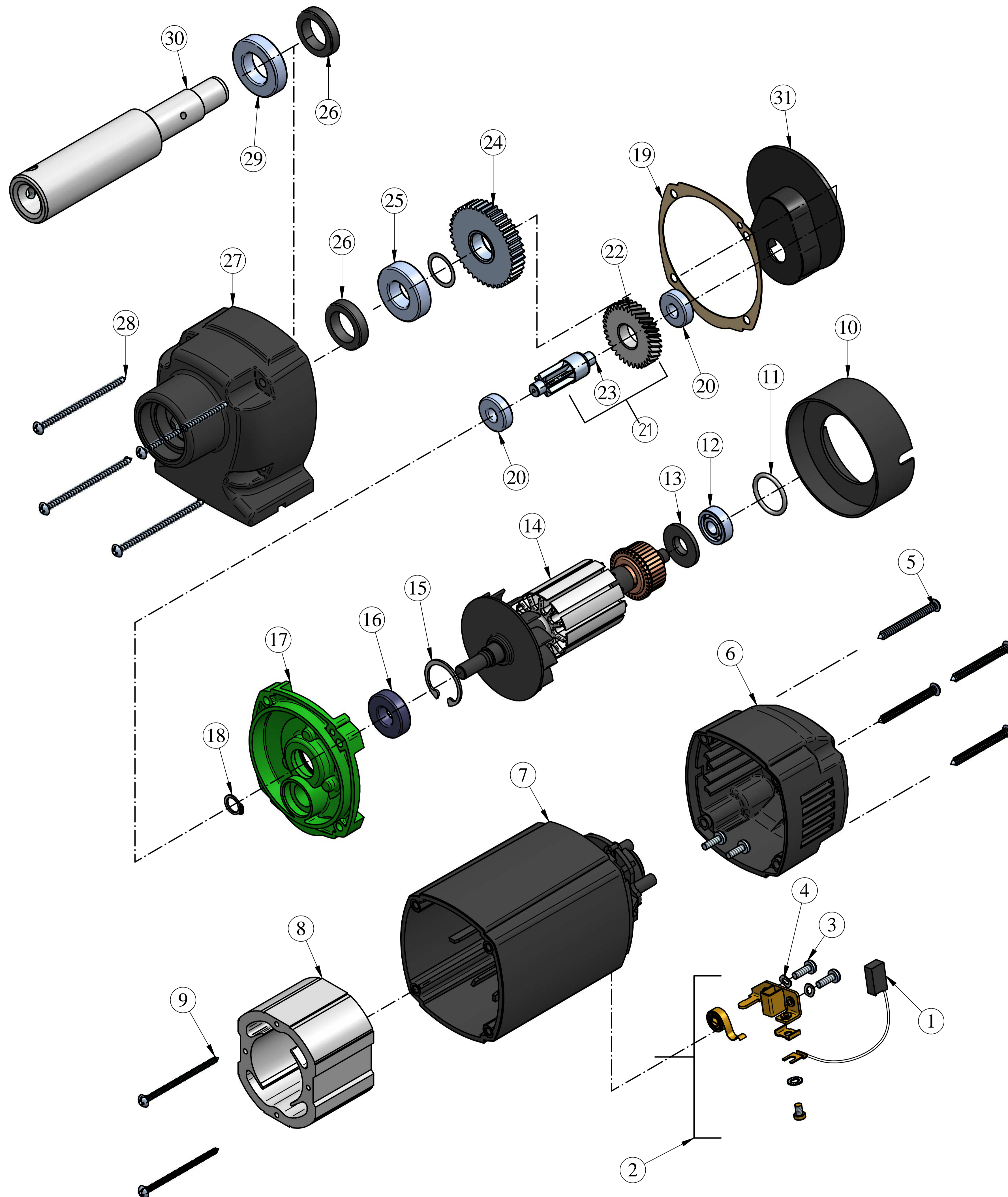


# KBM 38 - DRILL UNIT - 209913



Sr. No.	PART NAME	PART No.	QTY
1	Carbon Brush SA	0580700013	2
2	Brush Holder SA	209902	2
3	CH Screw M4x12	161710100	4
4	Wave washer M4 type B	421704	4
5	Phillip head self tap screw 4.8x45	201716	4
6	Back cover	200403	1
7	Field Case	200401	1
8	Field SA	77117150	1
9	Phillip head self tap screw 3.9x65	181732	2
10	Baffle	200402	1
11	O ring	200303	1
12	Ball Bearing (8-22-7) 608 2Z	110902101	1
13	Dust washer	200404	1
14	Armature SA	77117100	1
15	Circlip 28mm x 1.2 B TYPE	201704	1
16	Ball Bearing (12-28-8)6001 2Z	190901	1
17	GC Cover	200102	1
18	Circlip 10mm x 1 A TYPE	111713100	1
19	Gasket	200301	1
20	Ball Bearing (8-22-7) 608	110902101	2
21	Inter shaft SA	209911	1
22	Inter Gear (200202)		1
23	Inter Shaft (200201)		1
24	Spindle Gear	200203	1
25	Ball Bearing (17-35-10) 6003 2RS	190905	1
26	Oil Seal	210302	2
27	Gear case	200101	1
28	Phillip head self tap screw 4.8x70	201717	4
29	Ball Bearing (20-37-9) 6904 2RS	200903	1
30	Spindle SA	209912	1
31	Grease Barrier	210409	1

PART NO.  
211403

REV:  
1

★ PARTS NOT SHOWN IN FIG.