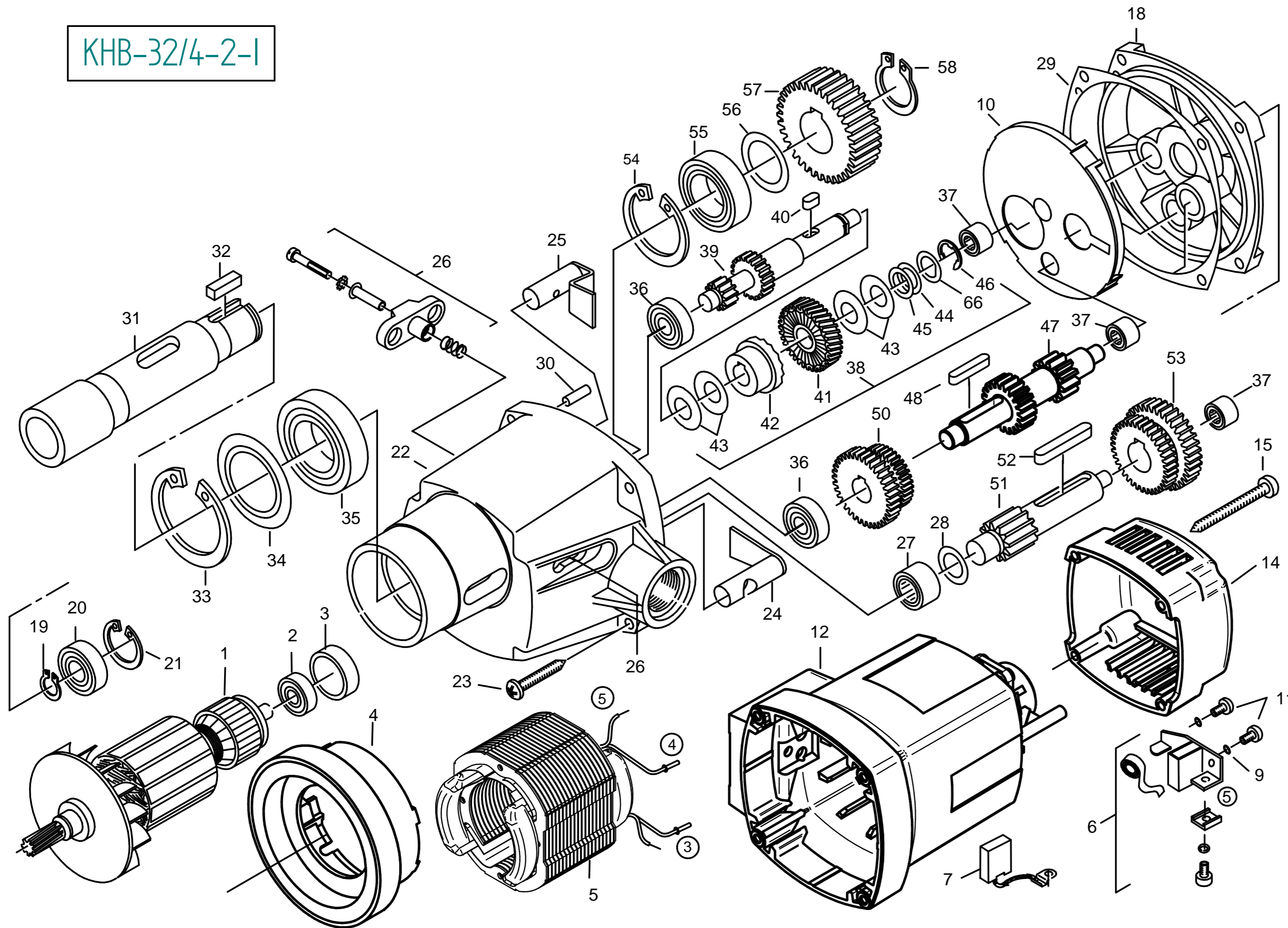


KHB-32/4-2-1



| No. | Description | Order No. | pcs. |
|-----|-------------------------------|------------|------|
| 1 | Rotor, cpl. | 057154A100 | 1 |
| 2 | Grooved Ball Bearing 6000 2Z | 0580410021 | 1 |
| 3 | Bearing Cap | 0583000031 | 1 |
| 4 | Air Guiding Ring, cpl. | 0571540140 | 1 |
| 5 | Stator, cpl. | 057154A150 | 1 |
| 6 | Brush Holder, cpl. | 0580201199 | 2 |
| 7 | Carbon Brush | 0580700019 | 2 |
| 9 | Corrugated Spring Washer B4 | 0580201385 | 4 |
| 10 | Grease Compartment Barrier | 0580900110 | 1 |
| 11 | Self Tapping Screw ZM4x12 | 0580201180 | 4 |
| 12 | Motor Housing | 0580900042 | 1 |
| 14 | Cap for Motor Housing | 0580900082 | 1 |
| 15 | Self Tapping Screw HC 4,8x45 | 0580201267 | 4 |
| 18 | End Shield of Gearing, green | 057154C610 | 1 |
| 19 | Locking Ring 11/1 | 0580201320 | 1 |
| 20 | Grooved Ball Bearing 6001 2Z | 0580410031 | 1 |
| 21 | Locking Ring 28/1,2 | 0580201333 | 1 |
| 22 | Gearbox Housing, black | 057154C400 | 1 |
| 23 | Self Tapping Screw HC 5,5x38 | 0580201292 | 4 |
| 24 | Coupling Bolt 2, cpl. | 0571540530 | 1 |
| 25 | Coupling Bolt 1, cpl. | 0571540520 | 1 |
| 26 | Gear Changer, cpl. | 057154A545 | 2 |
| 27 | Needle Bearing RNA 4900 | 0580420001 | 1 |
| 28 | Disc for Needle Bearing | 0585000017 | 1 |
| 29 | Gearbox Seal | 0582000065 | 1 |
| 30 | Notched Pin Plug 5x16 | 0580200580 | 1 |
| 31 | Working Spindle | 0574527420 | 1 |
| 32 | Fitting Key B6x6x20 | 0580200606 | 1 |
| 33 | Locking Ring 55/2 | 0580201338 | 1 |
| 34 | Disc for Bearing | 0571540426 | 1 |
| 35 | Grooved Ball Bearing 6006 2RS | 0580410071 | 1 |
| 36 | Grooved Ball Bearing 6000 | 0580410020 | 2 |
| 37 | Needle Sleeve HK 0810 | 0580420110 | 3 |
| 38 | Coupling, cpl. | 057154A493 | 1 |
| 39 | Intermediate Shaft 1 | 0571540490 | 1 |
| 40 | Locking Spring 5x5x10 | 0571540495 | 1 |
| 41 | Coupling Wheel | 057752A550 | 1 |
| 42 | Coupling Half | 0571540560 | 1 |
| 43 | Spring Washer 28/12,2x1 | 0580200713 | 4 |
| 44 | Pressure Washer 1 | 0571540607 | 1 |
| 45 | Fitting Washer 12/18x0,2 | 0580200503 | 1 |
| 46 | Locking Washer 9 | 0580201361 | 1 |
| 47 | Intermediate Shaft 2 | 0571540500 | 1 |
| 48 | Locking Spring A5x5x28 | 0580200602 | 1 |
| 50 | Gear Block 1 | 0571540440 | 1 |
| 51 | Intermediate Shaft 3 | 0571540510 | 1 |
| 52 | Locking Spring A6x6x40 | 0580200608 | 1 |
| 53 | Gear Block 2 | 0571540450 | 1 |
| 54 | Locking Ring 47/1,75 | 0580201336 | 1 |
| 55 | Grooved Ball Bearing 6005 2RS | 0580410061 | 1 |
| 56 | Fitting Washer 25x0,1 | 0580200512 | 1 |
| 57 | Spindle Wheel | 0571540430 | 1 |
| 58 | Locking Ring 24/1,2 | 0580201326 | 1 |
| 66 | Pressure Washer 2 | 0571540606 | 1 |

RIGHTS ARE RESERVED TO CHANGE SPECIFICATION
AND DETAILS WITHOUT ANY NOTICE DUE TO
CONTINUES IMPROVEMENT.