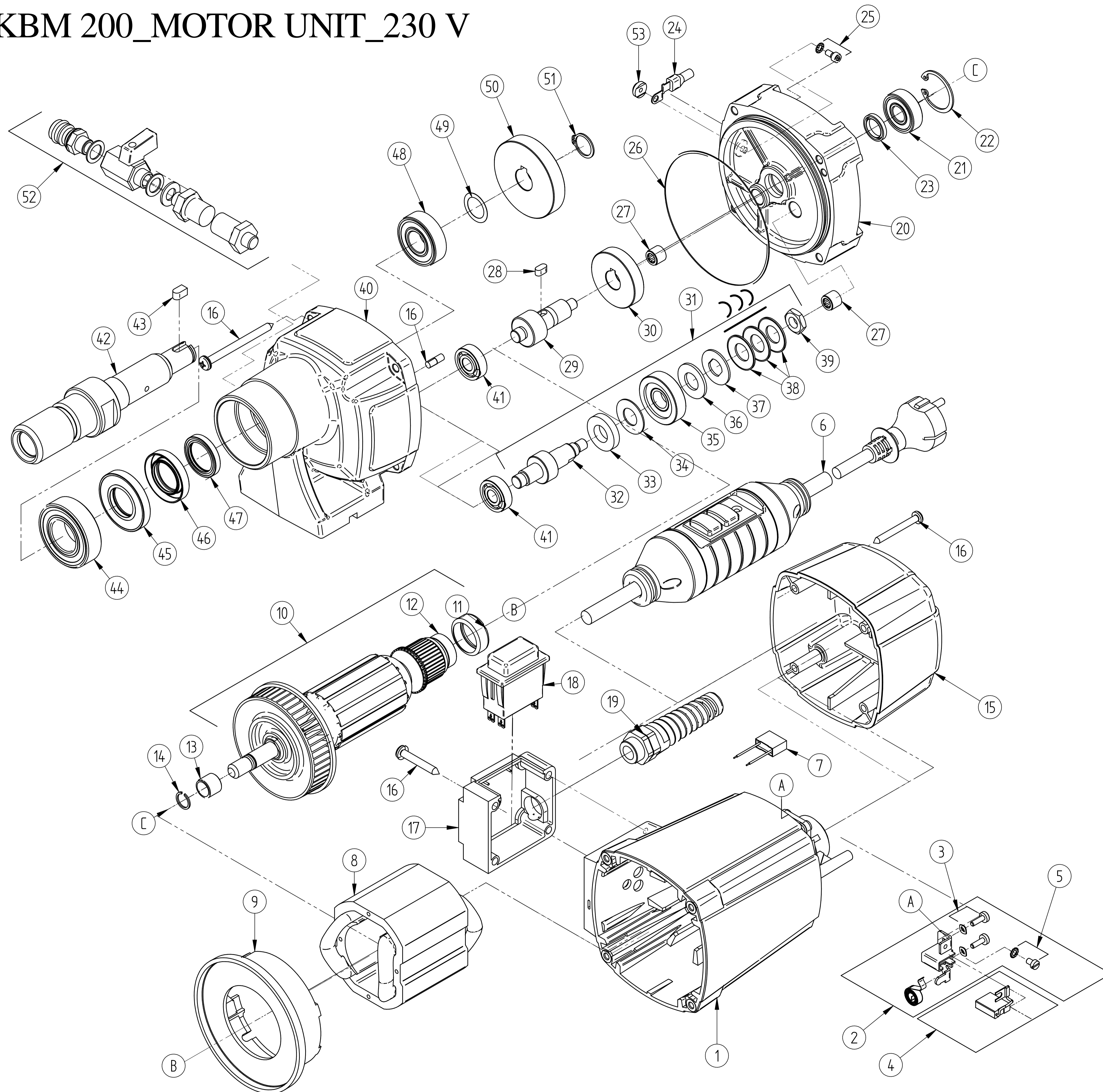


KBM 200_MOTOR UNIT_230 V



S.NO.	PART NAME	PART NO.	QTY
1	field case	420402	1
2	brush holder SA	1270820	2
3	CH machined screw M4x12 C	299930	1
4	carbon brush	80700019	2
5	CH screw M4x8 C	299933	1
6	connecting cable PRCD 3x1,5²	109909101	1
7	anti parasite condenser	111306101	1
8	stator complete	73511150	1
9	air guiding ring	73511141	1
10	rotor complete	73631100	1
11	bearing cap (73320315)		1
12	grooved ball bearing 6000 2Z (190902)		1
13	bearing ring 12x15x12,5	80420160	1
14	circlip SW 12	80200748	1
15	back cover	420401	1
16	Hardw are kit		1
17	switch box	73511630	1
18	sw itch ETA 12A	80600157	1
19	cable guard M16x1,5	109909102	1
20	gear case cover	290108	1
21	grooved ball bearing 6201 LUZ	140903	1
22	locking ring 32x1,2 TYPE B	221702	1
23	shaft seal ring 15x21x3 KEIV	83000042	1
24	earth connector	80601189	1
25	SH screw M4x8 C	299931	1
26	o-ring 106x2	83000092	1
27	needle sleeve HK 0810	250901	2
28	fitting key 5x5x10	80200600	1
29	intermediate shaft	73311500	1
30	intermediate w heel	7B336470	1
31	clutch complete	7B336493	1
32	intermediate shaft (7B336490)		1
33	pressure w asher (7B334499)		1
34	brass w asher (73331499)		1
35	clutch w heel (7B334550)		1
36	brass w asher (7332L499)		1
37	driving w asher (73331496)		1
38	spring w asher 28x14,2x1,5 (80200716)		3
39	hexagonal nut BM10/1 (80201007)		1
40	gear case	290108	1
41	grooved ball bearing 6000 2RS	420901	2
42	w ork spindle	73430420	1
43	fitting key 6x6x11	420202	1
44	grooved ball bearing 6205 2RS	420903	1
45	shaft seal ring WASY24x47x7	83000072	1
46	shaft seal ring WASY24x40x7	83000076	1
47	shaft seal ring WASY24x33x5	83000162	1
48	grooved ball bearing 6203 2RS	190903	1
49	fitting w asher 17/22x0,2	311707	1
50	spindle w heel	73311430	1
51	locking ring 17/1 TYPE A	80201323	1
52	w ater connector SA	73636950	1
53	locking nut M4	73631188	1

PART NO.

291417

REV:

10

* PARTS NOT SHOWN IN FIG.