

# KIC 405

## INDUCTION CHOPSAW



### Feature:

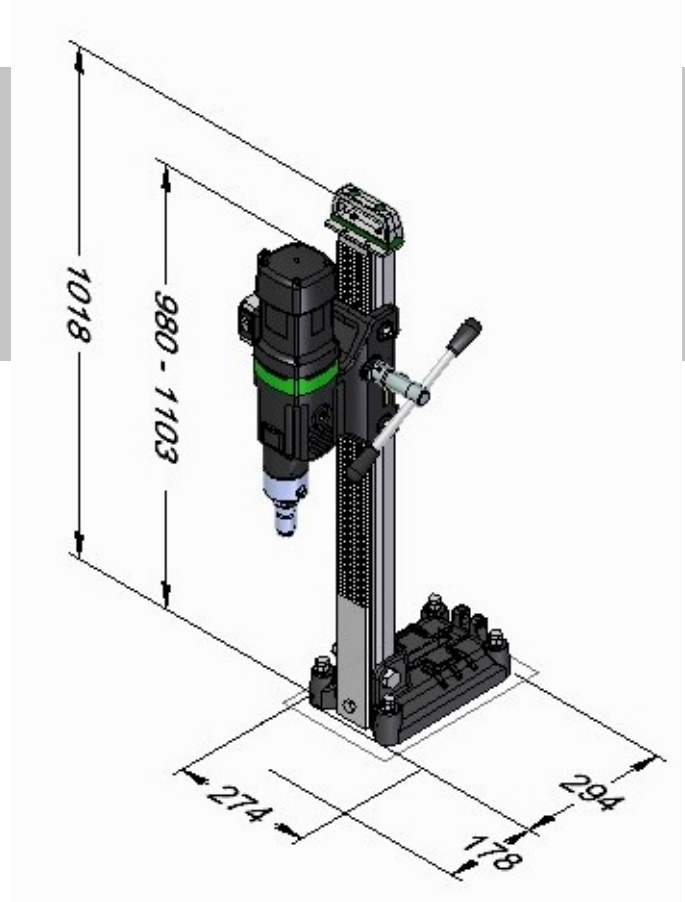
- Powerful 3 Phase Induction Motor
- Rigid Machine Construction
- Single Phase Protection
- Low Maintenance
- Additional Protection Guard
- Spindle Lock Facility

Specification		KIC 405
Power Input (W)		3675
Motor		5hp
Voltage (V)		440
Capacity (mm)		400
Working Capacity (mm)	Bar Dia	85
	Pipe Dia	140
	Shape Steel	140 X 140
N/L Speed (rpm)		3400
Net Wight (kg)		105

# PDB 250

## Diamond Core Drill Machine

**EIBENSTOCK**  
P O S I T R O N



### Use :

- Wet drilling in reinforced concrete, natural stone and asphalt.
- Sanitary, heating and ventilation construction, other engineers, civil engineering, landscape construction.

### Features :

- Switch with over current cut-off - protection against overloading of the motor
- Cutt-off carbon brushes - protection of the motor
- 1-speed oil bath gearbox - optimal lubrication
- Mechanical safety clutch
- Integrated water supply
- Stainless steel-combination spindle for connecting to R $\frac{1}{2}$ " and 1 $\frac{1}{4}$ " drill bits
- Motor and rig as a complete unit
- Handy, robust and economical
- Space-saving, compact drilling unit - low weight

Specification	PDB 25
Input Supply Voltage (V)	220-240
Motor Input (W)	2500
Core CuttingCapacity (mm)	250
Stroke (mm)	500
Rated speed(RPM) n	360/850
Mechanical Safety Clutch	Available
Spindle Connection	1 1/4" UNC
Weight (kg)	24 Kg