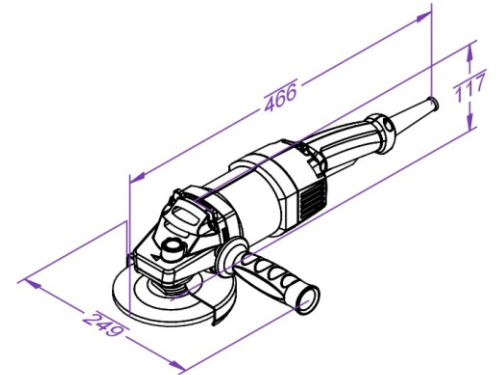


EZW 125 I / EZW 125 IO

Powerful Angle Grinder Machine



Use :

- Cutting and grinding general steel and other materials
- Removing of screed seams, residual mud, plaster and coatings
- Preparing of surfaces, e.g. for tile renovation
- Concrete, screed, tile adhesive, plaster, paint, coatings, carpet adhesive-with special grinding wheels (accessories)
- Working in tight sports for example under radiators, protusions
- Cutting metal with cutting disc

Features :

- For longer work hours powerful motor with 1400 watts
- Well Balanced Design

Specification	EZW 125I	EZW 125 IO
Input Supply Voltage (V)	220-240	220-240
Motor input (W)	1400	1400
Dis (mm)	max. 125	max. 125
No. load Speed No (min)	11000	11000
Thread of work Spindle	M 14	M 14
Over load Protection	NO.	Yes
Weight (kg)	3.1	3.1

* Also available in 110 V

