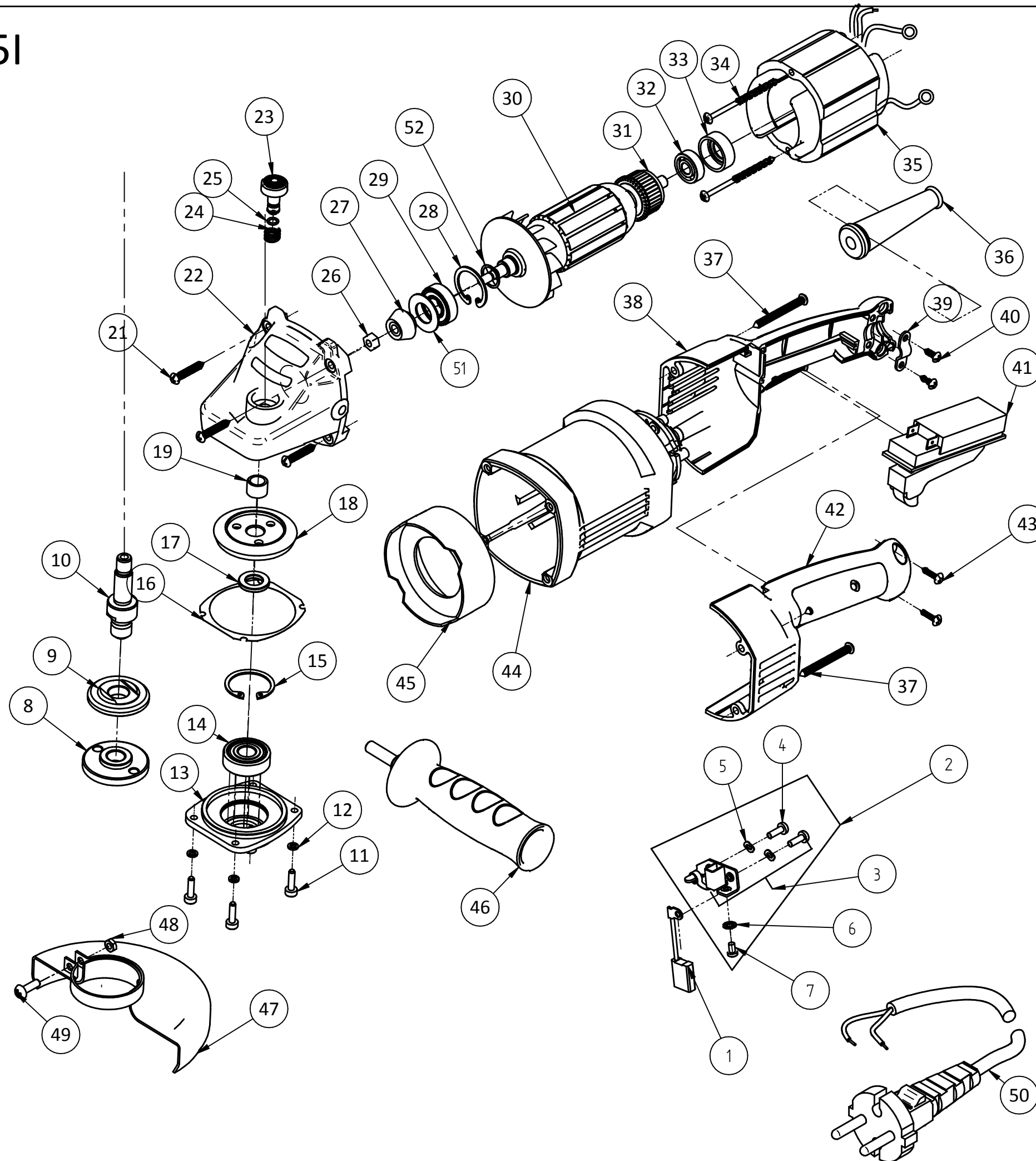


EZW 125I



Sr.no.	PART NAME	PART no.	QTY
1	Carbon Brush SA	580700013	2
2	Brush Holder SA total	319935	2
3	Brush Holder SA (209902)		2
4	CH Screw M4x12(161710100)		4
5	Wave washer M4 type B(421704)		4
6	Star washer M4(211730)		2
7	CH Screw M4x6(201702)		2
8	Outer clamp washer	140221	1
9	Inner clamp washer	140280	1
10	Spindle	140225	1
11	CH screw M4 X 12	161710100	4
12	Spring washer M4	101706100	4
13	Gear case cover	140104100	1
14	Ball bearing _6201_2RS	140903	1
15	Int.circlip 32/1.3	151702	1
16	SS Shims	140233	1
17	Spacer	140232	1
18	Bevel Gear	140229	1
19	NRB-HK 1010	310901	1
21	Self Tap Screw 4.8 x 25	101745100	4
22	Gear case	140107100	1
23	Gear lock pin SA	149912	1
24	Comp.spring	140227	1
25	O Ring	140304	1
26	Lock nut M6	141706100	1
27	Bevel Pinion	140228	1
28	Int.Circlip 28MM	201704	1
29	Ball Bearing 6001 2Z	190901	1
30	Aramature SA	149913	1
31	Dust washer	200404	1
32	Ball Bearing (8-22-7) 608 2Z	110902101	1
33	Bearing Cap - Blue	140307	1
34	Self tap screw 3.9x65	181732	2
35	Field SA	149914	1
36	Cord protector	140301	1
37	Self tap screw 4.8x45	201716	4
38	Switch handle right	75730269	1
39	Cord clamp	140405	1
40	Self Tap Screw 4x10	181711	2
41	Switch	141303	1
42	Switch handle left	75730268	1
43	Self tap screw 4x14	181701	2
44	Field Case	140407	1
45	Baffle	73110140	1
46	Side handle SA	149908100	1
47	Wheel guard SA	149911	1
48	Hex nut M5	101704100	1
49	Screw M5 X 15	141707100	1
50	Cable SA	111304101	1
51	Felt washer	140305	1
52	Fan end washer	140285	1

PART NO:	REV:
141407	8