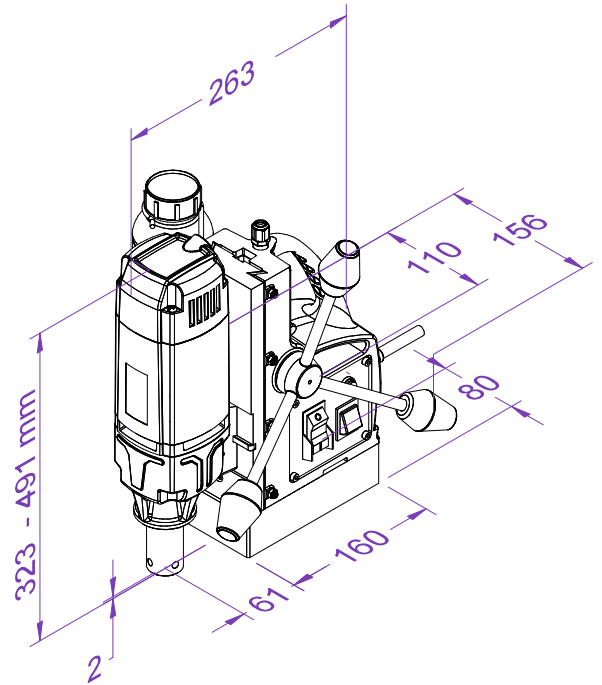


# KBM 35 I

## Magnetic Core Drilling



### Use :

- Electrical installation, sanitary and heating installations
- Civil engineering, industrialised building construction

### Features:

- Line lockout
- Safety Belt
- Carrying Case
- Powerful motor
- Superb service life
- Extremely lightweight
- Powerful electromagnet
- Internal cable arrangement
- Epoxy sealed waterproof base
- Internal spindle cooling system
- Safety fuse protection for magnet
- 100% high tensile align headed screws
- Compact, Light weight magnetic core drill with superb ease of use vertical and overhead use.
- Unmistaken arrangement of switch for magnet & drill to ensure safety of operator
- Core Bits - Optional accessory as per your requirement.

Available in 110 V on special request

Specification	KBM 35 I
Input Supply Voltage (V)	220-240
Motor Input (W)	1050
Core Cutting Capacity (mm)	12 to 35
Core Cutting Depth (mm)	50
Rated Speed (RPM)	400
Weight (kg)	10.5

\* Core Bit is not a part of standard accessory