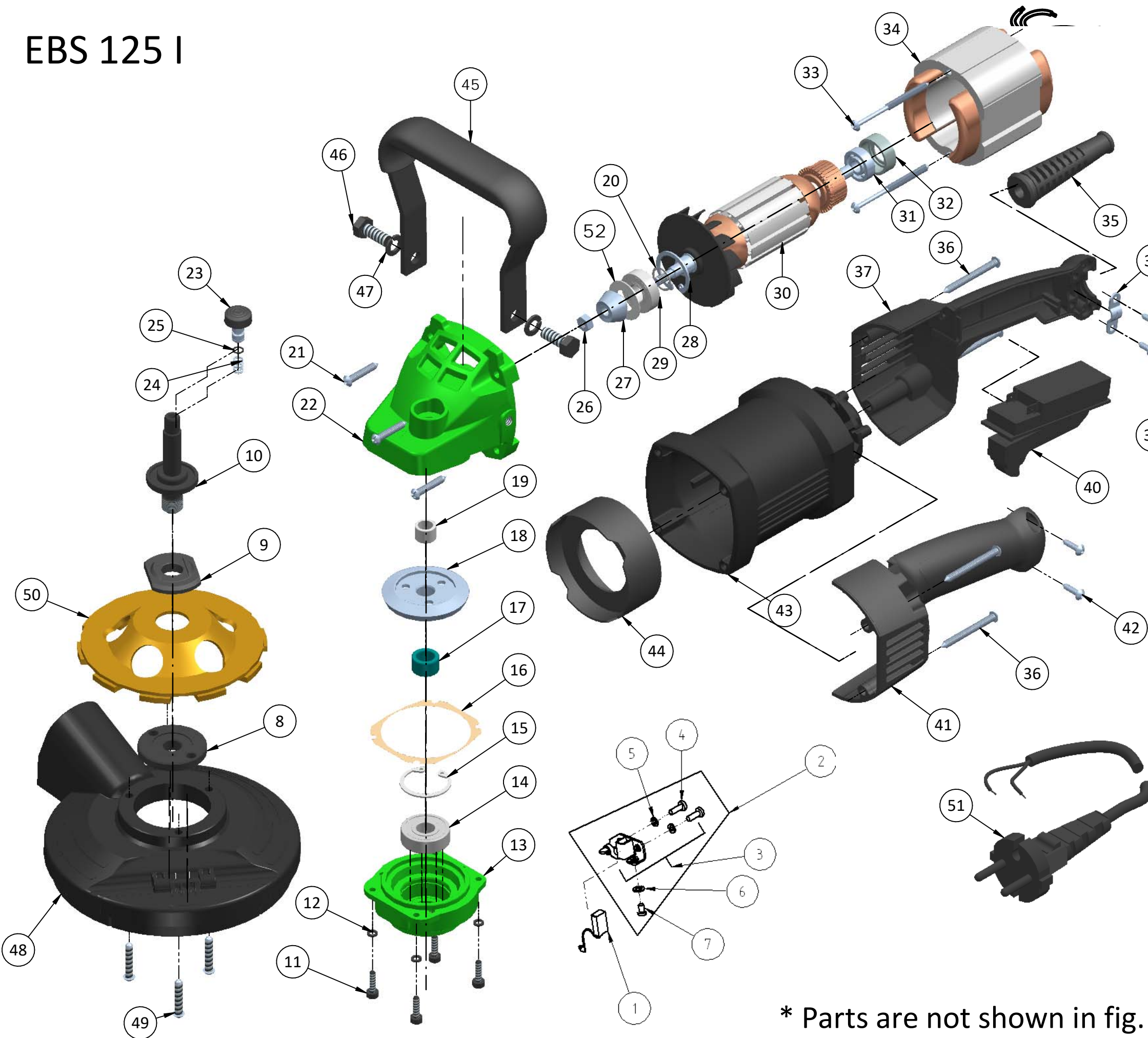


EBS 125 I



Sr.No.	PART NAME	PART No.	QTY
1	Auto Carbon Brush Pair	209942	1
2	Brush Holder SA total	319935	2
3	Brush Holder SA(209902)		2
4	CH Screw M4x12(161710100)		4
5	Wave Washer M4 TYPE B (80201385) 421704		4
6	Star washer M4 (211730)		2
7	Brass Screw M4x8 (101730100)		2
8	Outer clamp washer	140221	1
9	Inner clamp washer	140222	1
10	Spindle	140230	1
11	CH Screw M4x12	161710100	4
12	Spring washer M4	101706100	4
13	Gear case cover	140106100	1
14	Ball bearing_6201_2RS	140903	1
15	Int.circlip 32/1.3	221702	1
16	SS Shims	140233	1
17	Spacer	140231	1
18	Bevel Gear	1402315	1
19	NRB-HK 1010	310901	1
20	Fan end washer	140285	1
21	Self Tap Screw 4.8 x 25	101745100	4
22	Gear case	140107100	1
23	Gear lock pin SA	149912	1
24	Comp.spring	140227	1
25	O Ring	140304	1
26	Lock nut M6	141706100	1
27	Bevel Pinion	1402314	1
28	Int.Circlip 28MM	201704	1
29	Ball Bearing 6001 2Z	190901	1
30	Aramature SA	149940	1
31	Ball Bearing (8-22-7) 608 2Z	110902101	1
32	Bearing Cap - Blue	140307	1
33	PH Self tap screw 3.9x60	201703	2
34	Field SA	149914	1
35	Cord protector	140301	1
36	Self tap screw 4.8x45	201716	4
37	Switch handle right	75730269	1
38	Cord clamp	140405	1
39	Self Tap Screw 4x10	181711	2
40	Switch	141303	1
41	Switch handle left	75730268	1
42	Self tap screw 4x14	181701	2
43	Field Case	140407	1
44	Baffle	73110140	1
45	Handle SA (optional)	149916	1
46	Hex Screw M8 X 16 (141715)		2
47	Spring washer M8 (101710100)		2
48	Hood SA (optional)	149917	1
49	Socket button head cap screw(101726100)		3
50	Grinding wheel (optional)		1
51	Cable SA	181303	1
52	Felt washer	140305	1

PART NO:	REV:
141415	10

* Parts are not shown in fig.