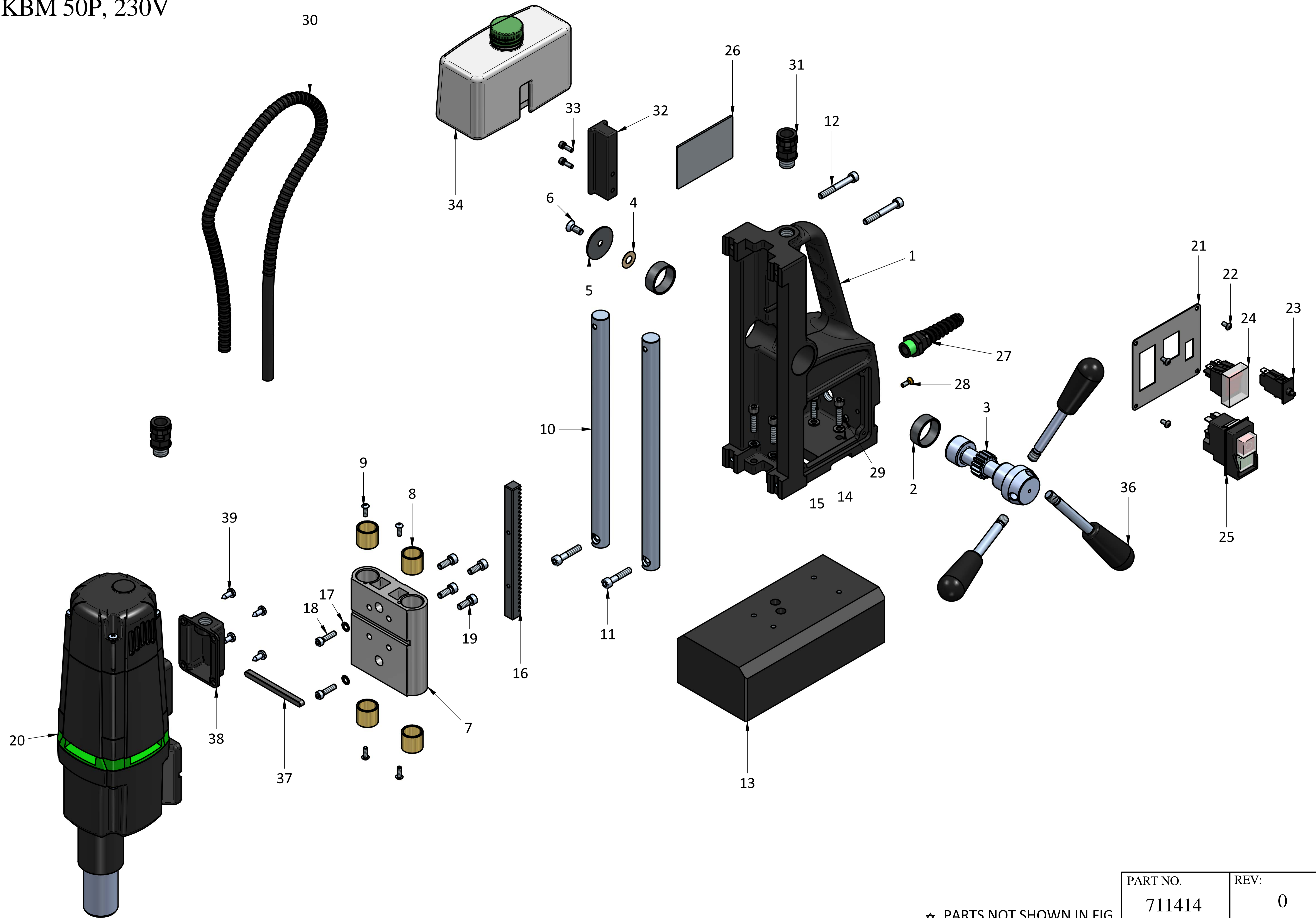


KBM 50P, 230V



☆ PARTS NOT SHOWN IN FIG.

PART NO.	REV:
711414	0