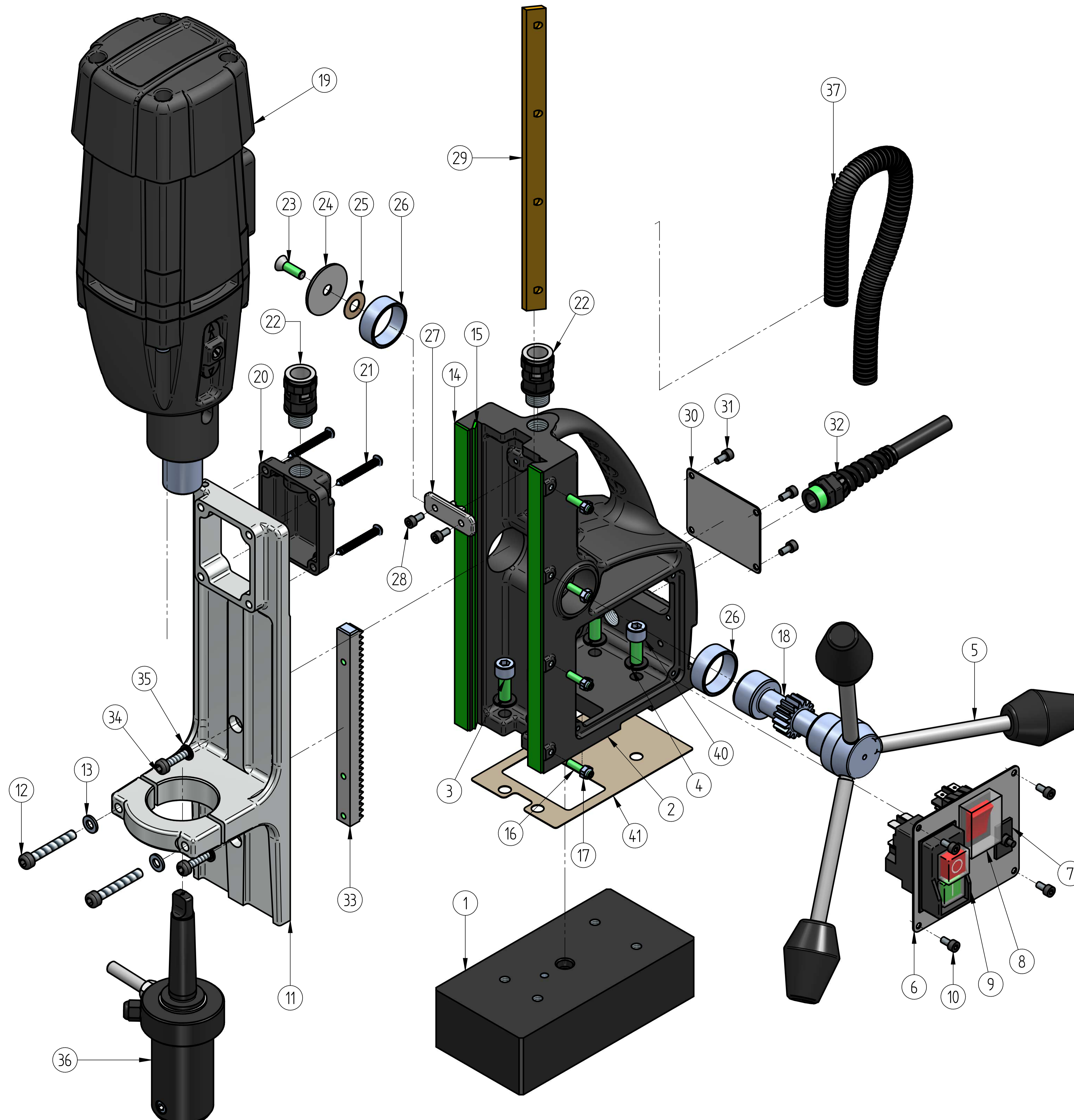


KBM 42I



Sr.No.	PART NAME	PART No.	QTY
1	BASE SA	1299114100	1
2	MAIN BODY SA	219952	1
3	SH SCREW M8 x 20	101708100	2
4	SPRING WASHER M8	101710100	4
5	HANDLE LEVER SA	219902	3
6	SWITCH PLATE SA	1299113100	1
7	Over Load Protector (211316)		1
8	Dust proof rocker switch 230V (211313)		1
9	Power Protection Switch (211319)		1
10	SH SCREW M4x8	121761100	4
11	GUIDE PLATE MACHINING	120182100	1
12	SH SCREW M6 x 40	121770100	2
13	Plain washer M6	101709100	2
14	GUIDE STRIP 12mm	210310	2
15	GUIDE STRIP 8mm	210311	1
16	SCH GRUB SCREW M5 x 20	211701	4
17	LOCK NUT M5	101760100	4
18	Spindle	210202	1
19	DRILL UNIT EHB20I	219956	1
20	Side cap	120410100	1
21	CH self tap screw 4.8x38	201705	4
22	GLAND PG9	211309	2
23	COUNTERSUNK SCREW M6 x 16	211705	1
24	SPINDLE CAP	210217	1
25	LOCK FOIL	210301	1
26	SPINDLE BUSH	210203	2
27	CORD CLAMP	210406	1
28	SH SCREW M4x8	121761100	2
29	GIB	210501	1
30	SPEC PLATE	211465	1
31	SH SCREW M4x8	121761100	4
32	SPIRAL GLAND	109909102	1
33	RACK	120209100	1
34	SCH Screw M5 X 20	281701	2
35	INT. TOOTH LOCK WASHER (M5)	101739100	2
36	MT 2 Sleeve SA	219958	1
37	CABLE CONDUIT	211306	1
38	COOLANT BOTTLE SA *	219912	1
39	QUICK RELEASE ARBOR SA (OPTIONAL)*	219957	1
40	SH SCREW M8 x 25	121756100	2
41	MAIN BODY GASKET	210318	1

PART NOT SHOWN - ☆

PART NO. 211464	REV: D3
--------------------	------------