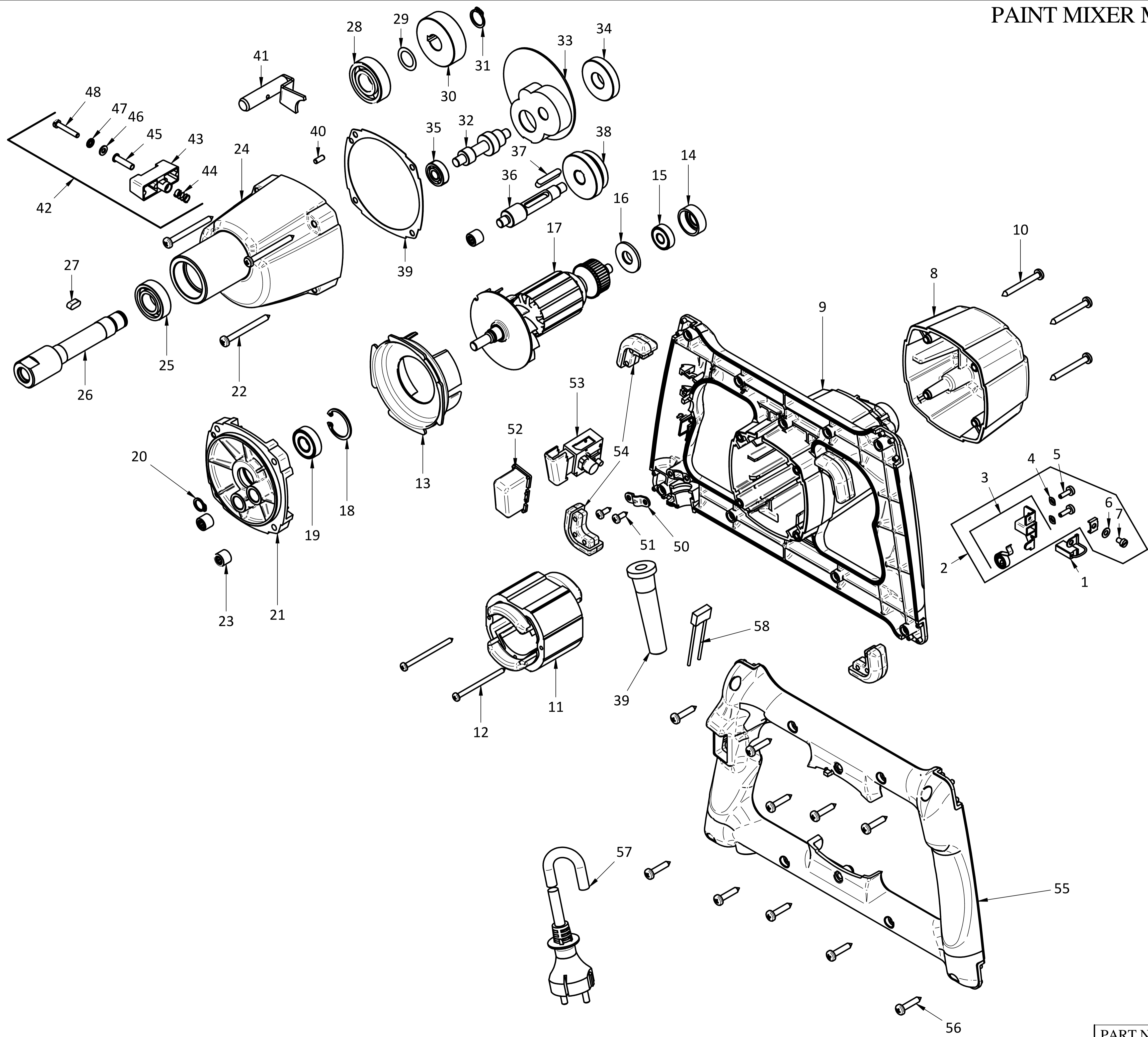


PAINT MIXER MXT101-2



PART NO. 311453	REV: D0
--------------------	------------

MXT 101-2 _ 230V

29.10.2024

Sr.No.	Part Name	Part No	Qty
1	Auto Carbon Brush Pair	209942	1
2	Brush Holder SA total	319935	2
3	Brush Holder SA (209902)		2
4	Wave washer M4 type B (421704)		4
5	CH screw M4x12 (161710100)		4
6	Star Washer M4 (211730)		2
7	CH screw M4 x 6 (201702)		2
8	Back cover	210420	1
9	Field Case	77117200	1
10	SELF TAP SCREW 4.8X55	311701	4
11	Field SA	319986	1
12	CH self tap screw 3.9x60	201703	2
13	Baffle	7732Y140	1
14	Bearing cap	771C6315	1
15	Ball Bearing (8-22-7) 608 2Z	110902101	1
16	Dust washer	200404	1
17	Armature SA	7132A100	1
18	Circlip 28mm x 1.2 B TYPE	201704	1
19	Ball Bearing (12-28-8)6001 ZZ	190901	1
20	Circlip A11	121771100	1
21	GC Cover (GREEN)	120190100	1
22	Phillip head self tap screw 4.8x55	311701	4
23	NRB 8-12-10 HK810	250901	3
24	Gear case (Black)	310109	1
25	Ball bearing 17-35-10 (6003-)2RS	190905	1
26	Spindle	77323420	1
27	Key 5-5-12	80200601	1
28	Ball bearing 17-40-12 (6203-2RS)	190903	1
29	Washer 15/22 x 0.2	311704	1
30	Spindle gear	71323430	1
31	Circlip 15 x 1 A TYPE	121765100	1
32	Inter pinion	71323500	1
33	Grease barrier	7132A625	1
34	Intermediate gear	7132A470	1
35	Ball Bearing 8-22-7 (608 2Z)	110902101	1
36	Inter shaft for gear cluster	71223460	1
37	Key 5-5-28	80200602	1
38	Gear Cluster	71323440	1
39	Gasket	120307100	1
40	Dowel 4 x 12	211723	1
41	coupling bolt SA	129945100	1
42	Gear changer SA	319917	1
43	Gear Shifting knob green (77324547)	-	1
44	Comp.Spring (120250100)	-	1
45	Screw Sleeve (121768100)	-	1
46	Plain washer M4 (101734100)	-	1
47	Star Washer M4 (211730)	-	1
48	CH screw M4 x 25 (121767100)	-	1
49	Cord protector	71323255	1
50	Cord clamp	140405	1
51	ST 4.2 x 10	181711	2
52	DIRT PROTECTION CAP - DOMESTIC	310303	1
53	Switch Lock on	311301	1
54	Buffer pair set 1 and 2	77117594	1
55	Handle cover	77117260	1
56	ST 4.8 x 25	191724	10
57	Cable SA (2 Corex1mm2x3.1 Mtr.)	319903	1
58	Supressor (0.47 µ Fx2)	111306101	1