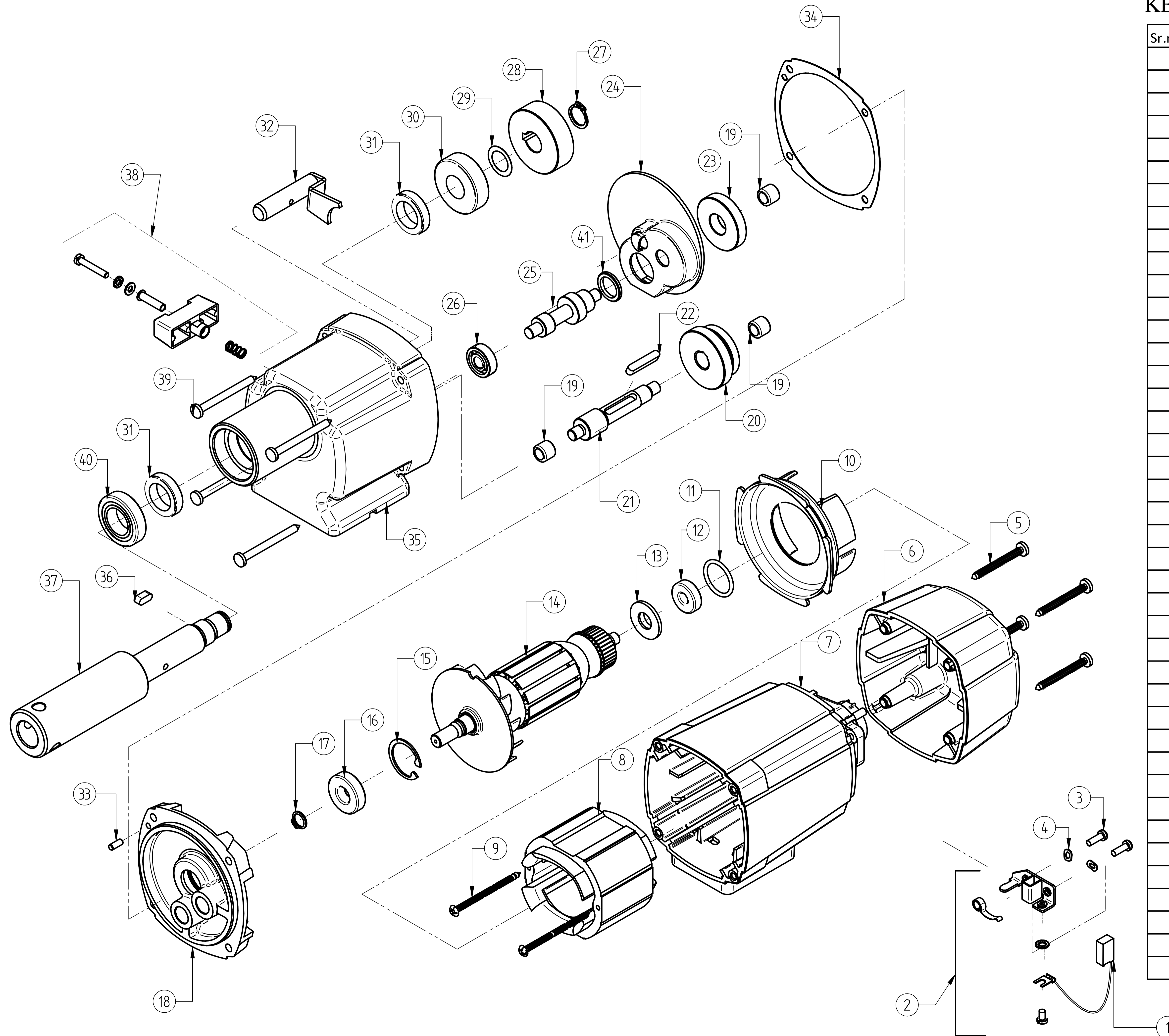


KBM50-2 DRIVE UNIT



Sr.no.	PART NAME	PART no.	QTY
1	Carbon Brush SA	0580700013	2
2	Brush Holder SA	209902	2
3	CH Screw M4x12	161710100	4
4	Wave washer M4 TYPE B	421704	4
5	Phillip head self tap screw 4.8x45	201716	4
6	Back cover	120409100	1
7	Field Case	120407100	1
8	Field SA	7132A150	1
9	Phillip head self tap screw 3.9x65	181732	2
10	Baffle	0580900286	1
11	O ring	200303	1
12	Ball Bearing (8-22-7) 608 2Z	110902101	1
13	Dust washer	200404	1
14	Armature SA	7132A100	1
15	Circlip 28mm x 1.2 B TYPE	201704	1
16	Ball Bearing (12-28-8)6001 2Z	190901	1
17	Circlip 11 A	121771100	1
18	GC Cover	120166100	1
19	NRB 8-12-10 HK810	250901	3
20	Gear Cluster	71323440	1
21	Inter shaft for gear clushter	71223460	1
22	Key 5-5-28	80200602	1
23	Intermediate gear	7132A470	1
24	Grease barrier	120403100	1
25	Inter pinion	71323500	1
26	Ball Bearing 8-22-7 (608 2Z)	110902101	1
27	Circlip 15 x 1 A TYPE	121765100	1
28	Spindle gear	71323430	1
29	Washer	311704	1
30	Ball bearing 17-40-12 (6203-2RS)	190903	1
31	Oil Seal 20-30-7 TYPE B	210302	2
32	coupling bolt SA	129945100	1
33	Dowel 4 x 12	211723	1
34	Gasket	120304100	1
35	Gear case	120147100	1
36	Key 5-5-12	80200601	1
37	Spindle sleeve	120296100	1
38	Gear changer SA	319917	1
39	Phillip head self tap screw 4.8x45	201716	4
40	Ball bearing 20-37-9 (6904-2RS)	200903	1
41	Spacer	120247100	1

PART NO.
121493100

REV:
D2