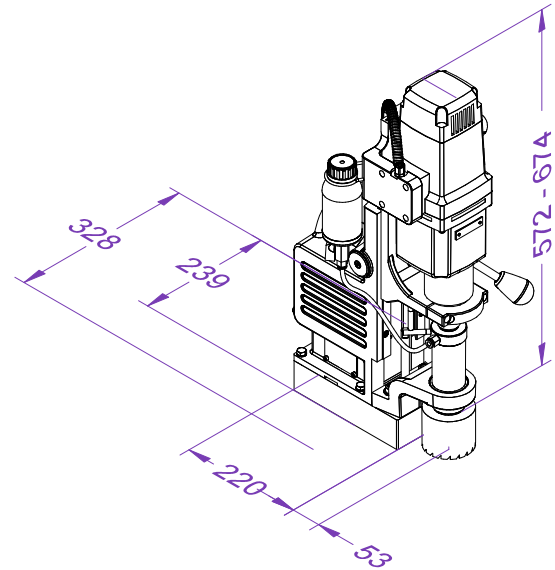


KBM 85-4E

Magnetic Core Drilling

EIBENSTOCK
POSITRON



Use:

- Electrical installation, sanitary and heating installations
- Civil engineering, industrialised building construction & Heavy fabrication

Features:

- Mechanical safety clutch
- Feed lever change without any tools – easy change of the working site
- Line lock out
- Safety Belt
- Powerful motor
- Superb service life
- Powerful electromagnet
- Internal cable arrangement
- Epoxy sealed waterproof base
- Internal spindle cooling system
- Safety fuse protection for magnet
- 100% high tensile alien headed screws
- Compact, Light weight magnetic core drill with superb ease of use vertical and overhead use
- Un-mistaken arrangement of switch for magnet & drill to ensure safety of operator
- Core Bits - Optional accessory as per your requirement



Specification	KBM 85-4E
Input Supply Voltage (V)	220 - 240
Motor Input (W)	1700
Max Core Cutting Capacity (mm)	85
Max Core Cutting Depth (mm)	75
Rated Speed (RPM)	385/245/175/110
Weight (Kg)	26.5

* Core Bit is not a part of standard accessory