

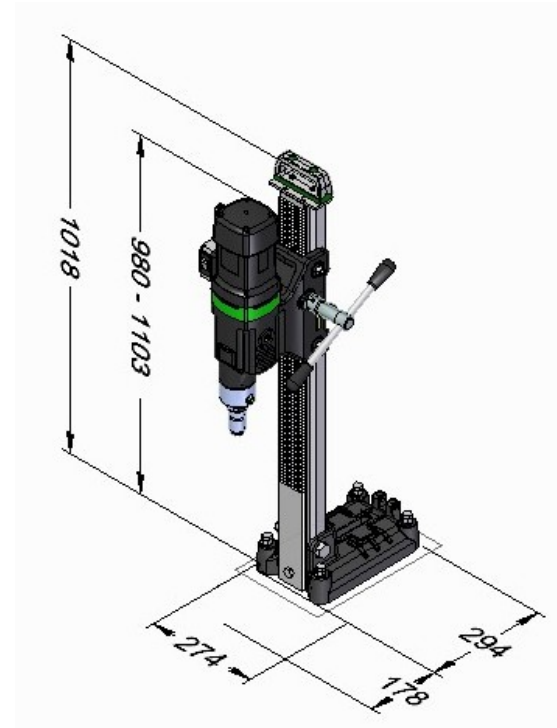
## Multipurpose Drilling



# PDB 250

## Diamond Core Drill Machine

**EIBENSTOCK**  
POSITRON



### Use :

- Wet drilling in reinforced concrete, natural stone and asphalt.
- Sanitary, heating and ventilation construction, other engineers, civil engineering, landscape construction.

### Features :

- Switch with over current cut-off - protection against overloading of the motor
- Cutt-off carbon brushes - protection of the motor
- 1-speed oil bath gearbox - optimal lubrication
- Mechanical safety clutch
- Integrated water supply
- Stainless steel-combination spindle for connecting to R $\frac{1}{2}$ " and 1 $\frac{1}{4}$ " drill bits
- Motor and rig as a complete unit
- Handy, robust and economical
- Space-saving, compact drilling unit - low weight

Specification	PDB 250
Input Supply Voltage (V)	220-240
Motor Input (W)	2500
Core CuttingCapacity (mm)	250
Stroke (mm)	500
Rated speed(RPM)	360/850
Mechanical Safety Clutch	Available
Spindle Connection	1 1/4" UNC
Weight (kg)	24 Kg

Eibenstock Positron Elektrowerk Pvt. Ltd.  
Plot No. 144/1,2,3, KATP, Tardal,  
Taluka- Hatkanangale,  
Dist. Kolhapur – 416 121,  
Maharashtra, (INDIA)

GERMAN ENGINEERING

मेड इन इंडिया

[www.eibenstock.in](http://www.eibenstock.in)

[www.facebook.com/EibenstockPositron](https://www.facebook.com/EibenstockPositron)

A partner  
company of  
The German  
Power Tool  
Manufacturer



**EIBENSTOCK**  
Power Tools

