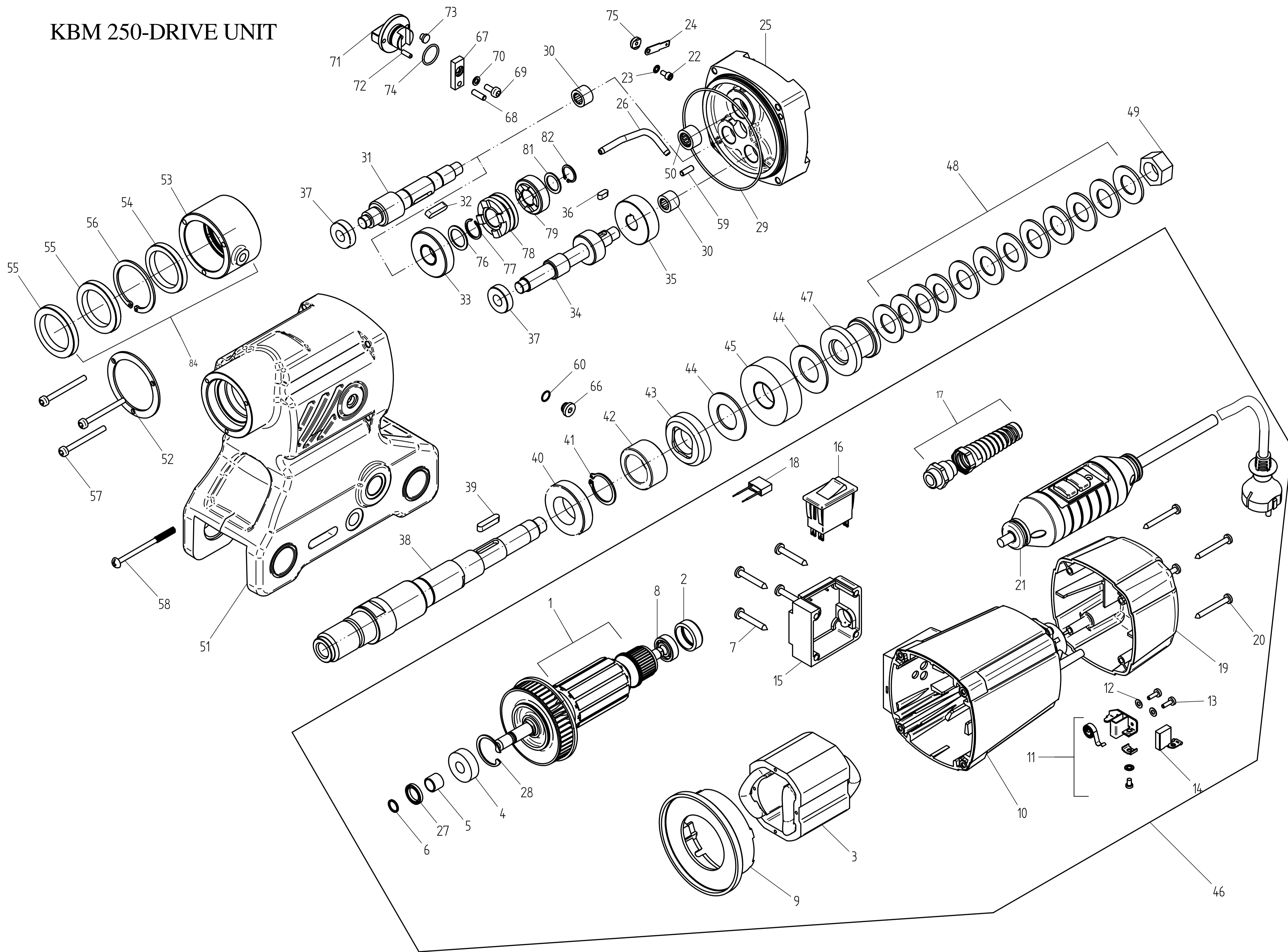


# KBM 250-DRIVE UNIT



| NO. | PART NAME                                                | PART NO.  | QTY. |
|-----|----------------------------------------------------------|-----------|------|
| 1   | Rotor complete                                           | 73531100  | 1    |
| 2   | Bearing cap                                              | 73320315  | 1    |
| 3   | Stator complete                                          | 73511150  | 1    |
| 4   | Grooved ball bearing 6201 LUZ                            | 140903    | 1    |
| 5   | Bearing ring 12x15x12,5                                  | 80420160  | 1    |
| 6   | Circlip SW 12                                            | 80200748  | 1    |
| 7   | Self tapping screw HC 5,5x38                             | 421701    | 4    |
| 8   | Grooved ball bearing 6000 2Z                             | 190902    | 1    |
| 9   | Air guiding ring                                         | 73511141  | 1    |
| 10  | Motor housing                                            | 420402    | 1    |
| 11  | Brush holder                                             | 1270820   | 2    |
| 12  | wave washer M4 TYPE B                                    | 421704    | 4    |
| 13  | CH machined screw CM4x12                                 | 161710100 | 4    |
| 14  | Carbon brush                                             | 80700019  | 2    |
| 15  | switch box                                               | 73511630  | 1    |
| 16  | switch ETA 12A                                           | 80600157  | 1    |
| 17  | cable guard M16x1,5                                      | 109909102 | 1    |
| 18  | anti parasite condenser                                  | 111306101 | 1    |
| 19  | cap                                                      | 420401    | 1    |
| 20  | self tapping screw HC 4,8x45                             | 80201267  | 4    |
| 21  | connecting cable PRCD                                    | 109909101 | 1    |
| 22  | SH screw M4x8                                            | 121761100 | 1    |
| 23  | tooth lock washer A4,3                                   | 101735100 | 1    |
| 24  | earth connector                                          | 80601189  | 1    |
| 25  | Gear case cover                                          | 73511610  | 1    |
| 26  | oil tube 73511425                                        | 83000042  | 1    |
| 27  | shaft seal ring KEIV 15x21x3                             | 83000042  | 1    |
| 28  | Int.circlip 32x1,2 B                                     | 221702    | 1    |
| 29  | o ring 106x2                                             | 83000092  | 1    |
| 30  | needle sleeve HK 1212                                    | 80420130  | 2    |
| 31  | intermediate shaft                                       | 73521500  | 1    |
| 32  | fitting key 6x6x25                                       | 80200616  | 1    |
| 33  | intermediate wheel                                       | 73521480  | 1    |
| 34  | intermediate shaft                                       | 73521510  | 1    |
| 35  | intermediate wheel                                       | 73511470  | 1    |
| 36  | fitting key A5x5x12                                      | 80200601  | 1    |
| 37  | grooved ball bearing 6001 2Z (12-28-8)                   | 190901    | 1    |
| 38  | work spindle                                             | 73511420  | 1    |
| 39  | fitting key 6x6x28                                       | 80200614  | 1    |
| 40  | grooved ball bearing 6006 2RS                            | 80410071  | 1    |
| 41  | Ext. circlip 30x1,5                                      | 80201330  | 1    |
| 42  | needle bearing NKS 30-42-22                              | 80420156  | 1    |
| 43  | supporting disc                                          | 73531425  | 1    |
| 44  | braking disk                                             | 85000076  | 2    |
| 45  | spindle wheel                                            | 73511430  | 1    |
| 46  | motor complete                                           | 7352120U  | 1    |
| 47  | thrust sleeve                                            | 73511423  | 1    |
| 48  | spring washer 40x20,4x2,5                                | 80200721  | 12   |
| 49  | hexagonal nut M20x1,5                                    | 73511429  | 1    |
| 50  | needle sleeve HK 1512                                    | 80420143  | 1    |
| 51  | Gear case machining                                      | 290107    | 1    |
| 52  | gear box seal/Washer $\Phi 71 \times \Phi 55,5 \times 2$ | 83000099  | 1    |
| 53  | connecting ring                                          | 73511410  | 1    |
| 54  | shaft seal ring 40x52x7                                  | 83000073  | 1    |
| 55  | shaft seal ring 40x55x7                                  | 83000074  | 2    |
| 56  | Int.circlip 52                                           | 80201392  | 1    |
| 57  | allen screw M5x55                                        | 80201211  | 3    |
| 58  | self tapping screw HC 5,5x80                             | 80201227  | 4    |
| 59  | Dowel 5 x 15                                             | 291719    | 1    |
| 60  | seal ring 1/8"                                           | 83000106  | 2    |
| 65  | notched pin plug 5x16                                    | 80200580  | 1    |
| 66  | cap screw 1/8"                                           | 80201406  | 1    |
| 67  | gear lever                                               | 73521542  | 1    |
| 68  | cylinder pin 5x16                                        | 80200597  | 1    |
| 69  | screw M5x12                                              | 80201230  | 1    |
| 70  | lock washer S6                                           | 80201362  | 1    |
| 71  | switch button                                            | 73521540  | 1    |
| 72  | cylinder pin 4x12                                        | 80200578  | 1    |
| 73  | spring loaded thrust pad                                 | 85000157  | 1    |
| 74  | o ring 18,7x1,75                                         | 83000081  | 1    |
| 75  | locking nut M4                                           | 73631188  | 1    |
| 76  | fitting washer 19x24,5x1                                 | 73521494  | 1    |
| 77  | circlip SW 19                                            | 80200743  | 1    |
| 78  | switch-actuating wheel                                   | 73521550  | 1    |
| 79  | intermediate wheel                                       | 73521470  | 1    |
| 81  | fitting washer 16/22x1                                   | 80200514  | 1    |
| 82  | locking ring 16/1                                        | 80201316  | 1    |
| 83  | water connector *                                        | 73636950  | 1    |
| 84  | connecting ring, premounted                              | 7351141U  | 1    |

|          |      |
|----------|------|
| PART NO. | REV: |
| 291432   | D0   |

★ PARTS NOT SHOWN IN FIG.