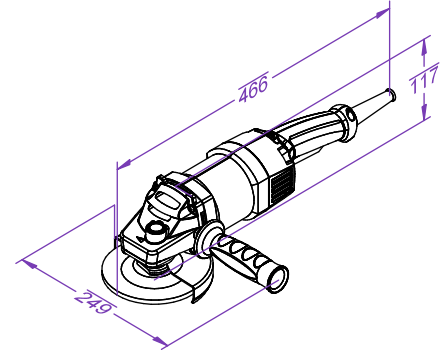


# EBS 125 I

Powerful Grinder & Polysher

**EIBENSTOCK**  
P O S I T R O N



**Use :**

- Grinding and smoothing of surfaces
- Removing of screed seams, residual mud, plaster and coatings
- Preparing of surfaces, e.g. for tile renovation  
Concrete, screed, tile adhesive, plaster, paint, coatings, carpet, adhesive - with special grinding wheels (accessories)
- Working in tight spots for example under radiators, protrusions

**Features :**

- Foldable front edge of dust guard for grinding directly to the edge of the work area
- Slim housing design-compact, well balanced design
- Soft grip handle - less vibration
- Spindle lock - easy tool change



**VC 50**  
**vacuum Cleaner**  
**Wet and dry**

**Note :** Vacuum cleaner VC50 is optional accessory and not part of standard scop

Specification	EBS 125 I
Input supply Voltage (V)	220 - 240
Motor input (W)	1400
Grinding Disc Diameter (mm)	125
No load Speed (min <sup>-1</sup> )	9500
Thread of Work Spindle	M14
Weight (kg)	3.2