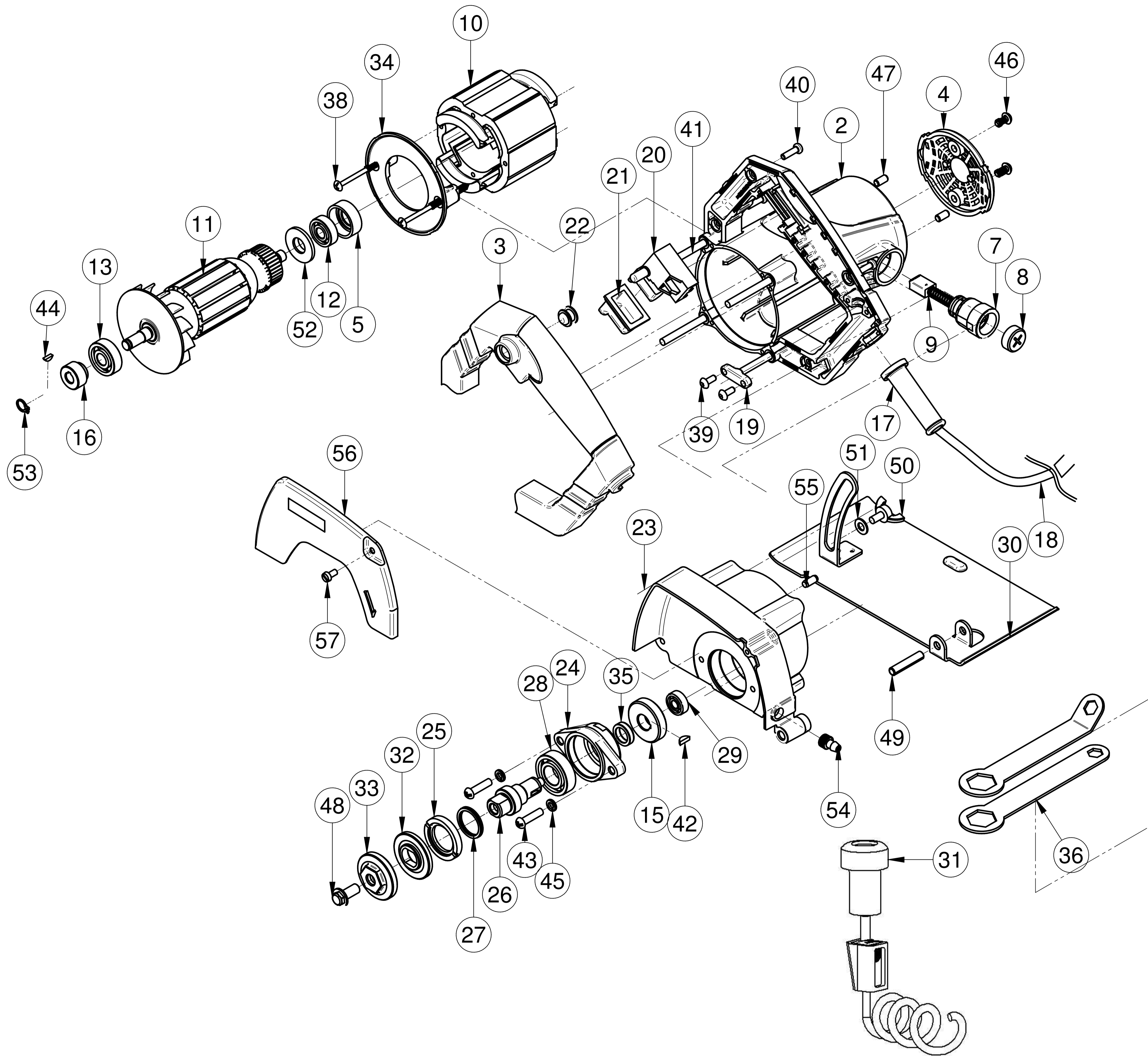


ETC 110



SR.NO.	PART NAME	PART NO	QTY
1	FIELD CASE,SWITCH HANDLE & BACK COVER (BLACK)	189943	1
2	FIELD CASE (180414)		1
3	SWITCH HANDLE (180402)		1
4	BACK COVER (180404)		1
5	BEARING CAP	771C6315	1
6	BRUSH HOLDER SA WITH CAP	189927	2
7	BRUSH HOLDER S.A (119901100)		2
8	BRUSH HOLDER CAP (110413101)		2
9	CARBON BRUSH SA	111307100	2
10	FIELD SA	189941	1
11	ARMATURE S.A.	189957	1
12	BALL BEARING(608-2RZ)COMM END	110902101	1
13	BALL BEARING(629-2RZ) FAN END	110901101	1
14	GEAR AND PINION PAIR	189961	1
15	GEAR (1802101)		1
16	PINION (1802103)		1
17	CORD PROTECTOR	180302	1
18	MOULDED CABLE(1MM ² X2 CORE,2.1Mtr)	111304101	1
19	CORD CLAMP	110411100	1
20	SWITCH	111305101	1
21	TRIGER CAP	180304	1
22	TRIGER LOCK CAP	180301	1
23	GEAR CASE (GREEN)	180112	1
24	GEAR CASE COVER	180102	1
25	GEAR CASE COVER RING	160103100	1
26	SPINDLE	180299	1
27	O RING	160304100	1
28	BALL BRG 6002 2RS (15-32-09)	110904101	1
29	BALL BEARING(606-2Z)	110903101	1
30	BASE PLATE SA	189960	1
31	FLEXIBLE PIPE SA	169916100	1
32	INNER CLAMP WASHER	110603100	1
33	OUTER CLAMP WASHER	110604100	1
34	BAFFLE	180417	1
35	SPACER	180297	1
36	SPANNER SET	189964	1
37	HARDWARE KIT	189958	1
38	PH SELF TAP SCREW 3.9x65	181732	2
39	SELF TAP SCREW 4x10 CH (181711)		2
40	HANDLE SELF TAP SCREWS 4x14 CH (181701)		4
41	CH MACHINED SCREW(FC TO GC) M5x45 (181712)		4
42	WOODRUFF KEY (160202100)		1
43	CH MACHINED SCREW(GCC TO GC) M5x20	161703100	2
44	WOODRUFF KEY 2.5 mm (180273)		1
45	SPRING WASHER M5	111708100	4
46	CH SELF TAP SCREWS 4.8 x 10	161707100	2
47	SOCKET HEAD GRUB SCREW M5x10	111706100	2
48	HEX BOLT L. H M7 X 16	111702100	1
49	SLOTTED SPRING PIN 6 MM	181734	1
50	WING SCREW M5	181709	1
51	WASHER ID 5.3 X OD 15 X 1.2 MM THK.	1802135	1
52	DUST WASHER	200404	1
53	CIRCLIP 8MM A TYPE	181708	1
54	WATER JET	180419	1
55	BEARING PLUG	160301100	1
56	WG COVER	180298	1
57	SLOTTED CHEESE HEAD SCREW M4 x 8	181735	1

* -PART NOT SHOWN IN DRAWING

PART NO: 181441

REV: D6