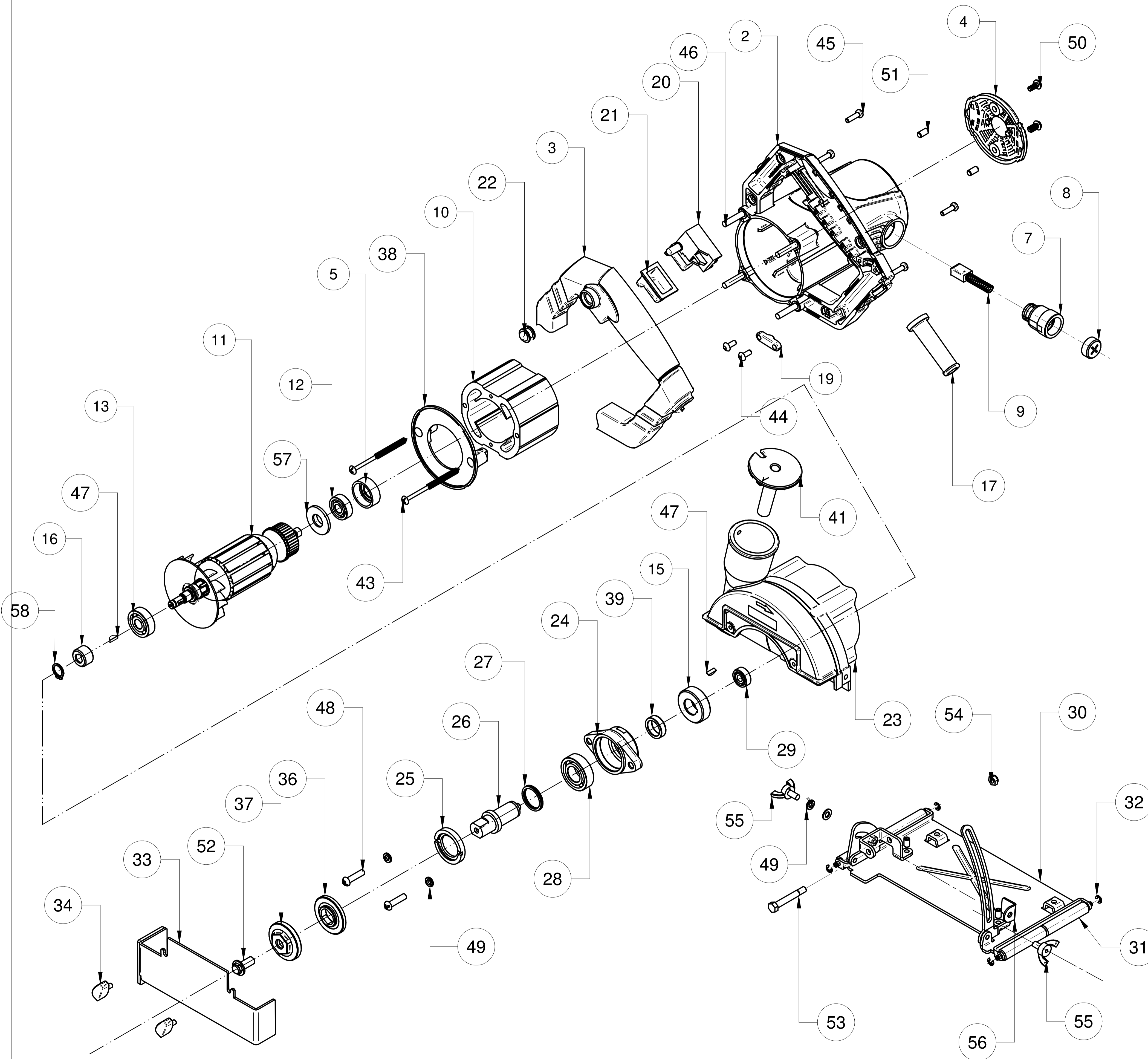


# ETC 125 - E1



| SR.NO. | PART NAME                                      | PART NO   | QTY |
|--------|--|-----------|-----|
| 1      | FIELD CASE,SWITCH HANDLE & BACK COVER          | 189943    | 1   |
| 2      | FIELD CASE (180414)                            |           | 1   |
| 3      | SWITCH HANDLE (180402)                         |           | 1   |
| 4      | BACK COVER (180404)                            |           | 1   |
| 5      | BEARING CAP                                    | 771C6315  | 1   |
| 6      | BRUSH HOLDER SA WITH CAP                       | 189927    | 2   |
| 7      | BRUSH HOLDER S.A (119901100)                   |           | 2   |
| 8      | BRUSH HOLDER CAP (110413101)                   |           | 2   |
| 9      | CARBON BRUSH SA                                | 111307100 | 2   |
| 10     | FIELD SA                                       | 189941    | 1   |
| 11     | ARMATURE S.A.                                  | 189940    | 1   |
| 12     | BALL BEARING(608-2RZ )COMM END                 | 110902101 | 1   |
| 13     | BALL BEARING(629-2RZ) FAN END                  | 110901101 | 1   |
| 14     | GEAR AND PINION PAIR                           | 189926    | 1   |
| 15     | GEAR (180202)                                  |           | 1   |
| 16     | PINION (160201100)                             |           | 1   |
| 17     | CORD PROTECTOR                                 | 180302    | 1   |
| 18     | MOULDED CABLE(1MM <sup>2</sup> X2 CORE,2.1Mtr) | 111304101 | 1   |
| 19     | CORD CLAMP                                     | 110411100 | 1   |
| 20     | SWITCH   | 111305101 | 1   |
| 21     | TRIGER CAP                                     | 180304    | 1   |
| 22     | TRIGER LOCK CAP                                | 180301    | 1   |
| 23     | GEAR CASE                                      | 180101    | 1   |
| 24     | GEAR CASE COVER                                | 180102    | 1   |
| 25     | GEAR CASE COVER RING                           | 160103100 | 1   |
| 26     | SPINDLE  | 160203100 | 1   |
| 27     | O RING   | 160304100 | 1   |
| 28     | BALL BEARING(6002-2RS)                         | 110904101 | 1   |
| 29     | BALL BEARING(606-2Z)                           | 110903101 | 1   |
| 30     | BASE PLATE SA                                  | 189922    | 1   |
| 31     | ROLLER (180406)                                |           | 4   |
| 32     | CIRCLIP 4MM C TYPE (181704)                    |           | 4   |
| 33     | WHEEL GUARD COVER                              | 180405    | 1   |
| 34     | WGC KNOB                                       | 189924    | 2   |
| 35     | FLEXIBLE PIPE SA                               | 169916100 | 1   |
| 36     | INNER CLAMP WASHER                             | 110603100 | 1   |
| 37     | OUTER CLAMP WASHER                             | 110604100 | 1   |
| 38     | BAFFLE   | 180417    | 1   |
| 39     | SPACER   | 160240100 | 1   |
| 40     | SPANNER  | 162001100 | 2   |
| 41     | PLASTIC CONEECTOR                              | 180407    | 1   |
| 42     | HARDWARE KIT                                   | 189929    | 1   |
| 43     | Phillip head self tap screw 3.9x65             | 181732    | 2   |
| 44     | SELF TAP SCREW 4x10 CH (181711)                |           | 2   |
| 45     | HANDLE SELF TAP SCREWS 4x14 CH (181701)        |           | 4   |
| 46     | CH MACHINED SCREW(FC TO GC) M5x45 (181712)     |           | 4   |
| 47     | WOODRUFF KEY (160202100)                       |           | 2   |
| 48     | CH MACHINED SCREW(GCC TO GC) M5x20             | 161703100 | 2   |
| 49     | SPRING WASHER M5                               | 111708100 | 4   |
| 50     | CH SELF TAP SCREWS 5x10                        | 161707100 | 2   |
| 51     | SOCKET HEAD GRUB SCREW M5x10                   | 111706100 | 2   |
| 52     | HEX BOLT L. H M7 X 16                          | 111702100 | 1   |
| 53     | CH PIVOT SCREW M5 x 37 DOWEL TYPE              | 181705    | 1   |
| 54     | LOCK NUT M5                                    | 101704100 | 1   |
| 55     | WING SCREW M5                                  | 181709    | 2   |
| 56     | SWIVEL GUIDE                                   | 182004    | 1   |
| 57     | DUST WASHER                                    | 200404    | 1   |
| 58     | CIRCLIP 8MM A TYPE                             | 181708    | 1   |
| 59     | HOSE INLET CONNECTOR (OPTIONAL)                | 180408    | 1   |
| 60     | HOSE OUTLET CONNECTOR (OPTIONAL)               | 180409    | 1   |
| 61     | HOSE 2 M(OPTIONAL)                             | 181723    | 1   |

\* -PART NOT SHOWN IN DRAWING

PART NO: 181430

REV: 7