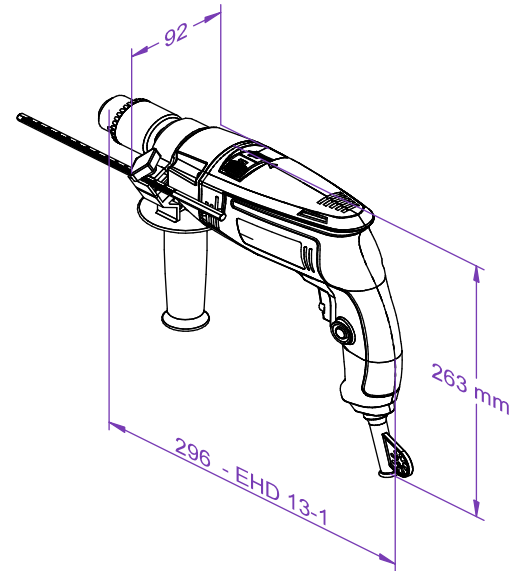


EHD 13-1

Single Speed Hammer Drill Machine



Use :

- Electrical installation, sanitary and heating installations, Vehicle construction.
- Civil engineering industrialised building construction & Bus body building, Housing fabrication work

Features

- Powerful motor
- Superb service life
- Ergonomic design for longer working
- Speed selector dial available for precious speed selection

Specification		EHD 13-1
Input Supply Voltage (V)		220-240
Motor Input (W)		650
Drilling Capacity (mm)	Conc.	13
	Brick & Tile	13
	Steel	10
	AL	15
	Wood	30
No load Speed n_0 (min^{-1})		0-3000
Chuck Drill holding capacity (mm)		1.5-13
Weight (kg)		1.9