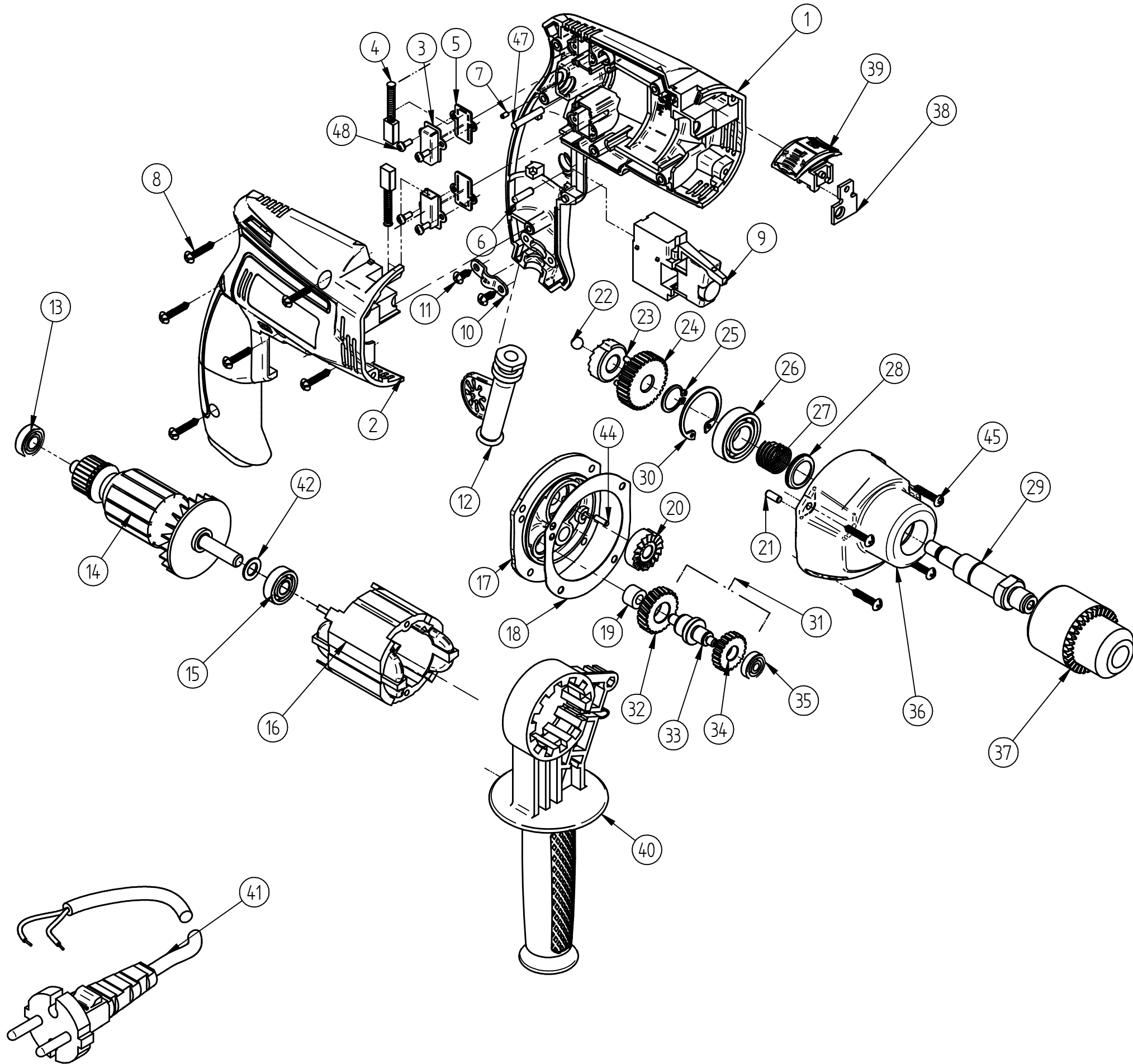


# EHD 13-1



SR.NO.	Part Name	Part no.	Qty.
1	FIELD CASE LH	150410	1
2	FIELD CASE RH	150411	1
3	BRUSH HOLDER SA	159926	2
4	CARBON BRUSH SA	159907	2
5	BACKELITE BASE	150409	2
6	RUBBER RETAINER 15.3mm	150303	1
7	BEARING PLUG	150302	2
8	CH SELF TAP SCREW $\Phi$ 3.9 x 19	151701	6
9	REVERSE FORWARD SWITCH	151301	1
10	CORD CLAMP	140405	1
11	CH SELF TAP SCREW 3.9x10	181711	2
12	CORD PROTECTOR	150306	1
13	BALL BEARING 8/19/6 (698 ZZ)	150901	1
14	ARMATURE SA	159902	1
15	BALL BEARING 8/22/7 (608ZZ)	110902101	1
16	FIELD SA	159901	1
17	GEAR CASE COVER	150102	1
18	GASKET	150304	1
19	NRB 06/12/08	150902	1
20	FIX RATCHET SA	159908	1
21	DOWEL $\Phi$ 4 x 10	311702	1
22	SP. BALL $\Phi$ 7	150207	1
23	MOVING RATCHET	150201	1
24	SPINDEL GEAR	150220	1
25	EXT. CIRCLIP PHI 15 TYPE A	121765100	1
26	BALL BRG 6002 ZZ (15-32-09)	150904	1
27	HELICAL COM. SPRING	150205	1
28	SPRING CUP	152002	1
29	SPINDLE	150219	1
30	INT.CIRCLIP 32	221702	1
31	INTERSHAFT SA	159909	1
32	INTERMEDIATE GEAR (150203)		1
33	INTERMEDIATE SHAFT (150222)		1
34	INTERMEDIATE GEAR Z22 (150221)		1
35	BALL BEARING 05/16/05 (625 ZZ)	150903	1
36	GEAR CASE	150105	1
37	13 MM CHUCK WITH 1/2-20UNF TAP & KEY	150244	1
38	HAMMER CONNECTING PLATE	152001	1
39	HAMMER SELCTOR KNOB	150403	1
40	HANDLE	150405	1
41	Cable	211305	1
42	FAN END WASHER	150223	1
43	SCALE ROD *	150406	1
44	DOWEL $\Phi$ 3 x 10	151705	1
45	CH SELF TAP SCREW $\Phi$ 3.9 x 25	151707	4
46	CSK PH. Screw M6 X 20-LH *	151708	1
47	RUBBER RETAINER 23.5 mm	150307	1
48	PH SELF TAP 2.9X7.5 (DIN 96 A2K)	151709	4
*	PARTS NOT SHOWN		

PART NO:	REV:
151409	3