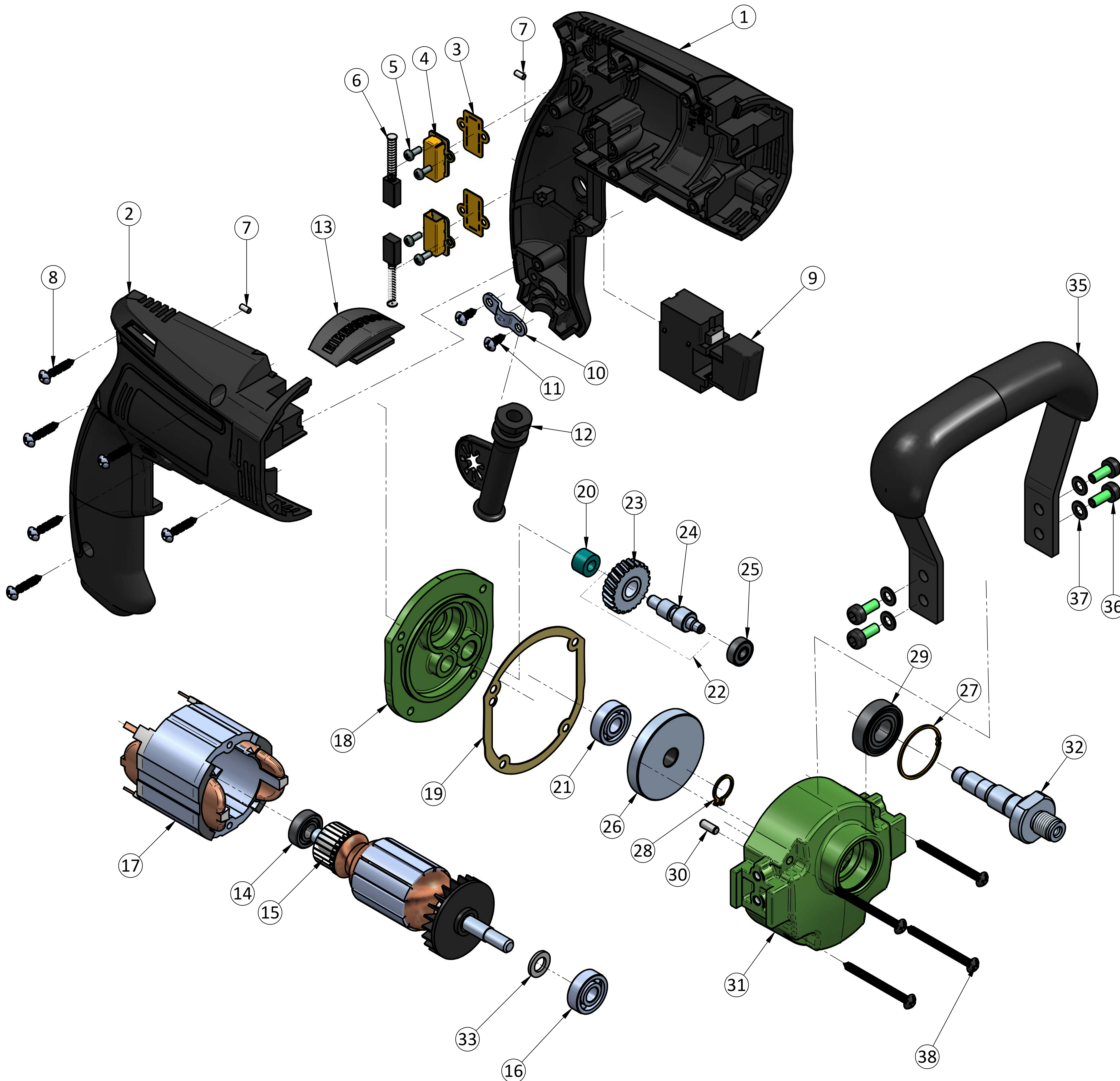


# MXT 80.1



SR.NO.	Part Name	Part no.	Qty.
1	FIELD CASE RH _ NEW	150411	1
2	FIELD CASE LH - NEW	150410	1
3	BACKELITE BASE	150409	2
4	BRUSH HOLDER SA _ NEW	159926	2
5	PH SELF TAP 2.9 X 7.5 DIN 96 A2K	151709	4
6	CARBON BRUSH SA - NEW	159927	1
7	BEARING SUPPORT	150302	2
8	CH SELF TAP SCREW $\Phi$ 3.9 x 19	151701	6
9	SWITCH MXT 80	151305	1
10	CORD CLAMP	140405	1
11	CH SELF TAP SCREW 3.9x10	181711	2
12	CORD PROTECTOR	150306	1
13	CAP	150407	1
14	BALL BEARING 8/19/6 (698 ZZ)	150901	1
15	ARMATURE SA	159922	1
16	BALL BEARING 8/22/7 (608ZZ)	110902101	1
17	FIELD SA	159923	1
18	GEAR CASE COVER	150114	1
19	GASKET	150304	1
20	NRB HK0608	150907	1
21	BALL BEARING 8/22/7 (608ZZ)	110902101	1
22	INTERSHAFT SA	159931	1
23	INTERMEDIATE GEAR SA (159906)		1
24	INTERMEDIATE SHAFT (150287)		1
25	BALL BEARING 05/16/5 (625ZZ)	150903	1
26	SPINDLE GEAR	150290	1
27	INT. CIRCLIP 28	201704	1
28	EXT. CIRCLIP PHI 12 TYPE A	291739	1
29	FRONT END BALL BRG 6001 2Z 12/28/8	190901	1
30	DOWEL $\Phi$ 4 x 12	211723	1
31	GEAR CASE	150112	1
32	SPINDLE	150289	1
33	FAN END WAHSER	150223	1
34	Cable *	111304101	1
35	HANDLE SA	159943	1
36	SH M5X12	191718	4
37	SPRING WASHER M5	111708100	4
38	PH SELF TAP SCREW $\Phi$ 3.9 x 45	151712	4
*	PARTS NOT SHOWN		

PART NO.	REV:
151434	0