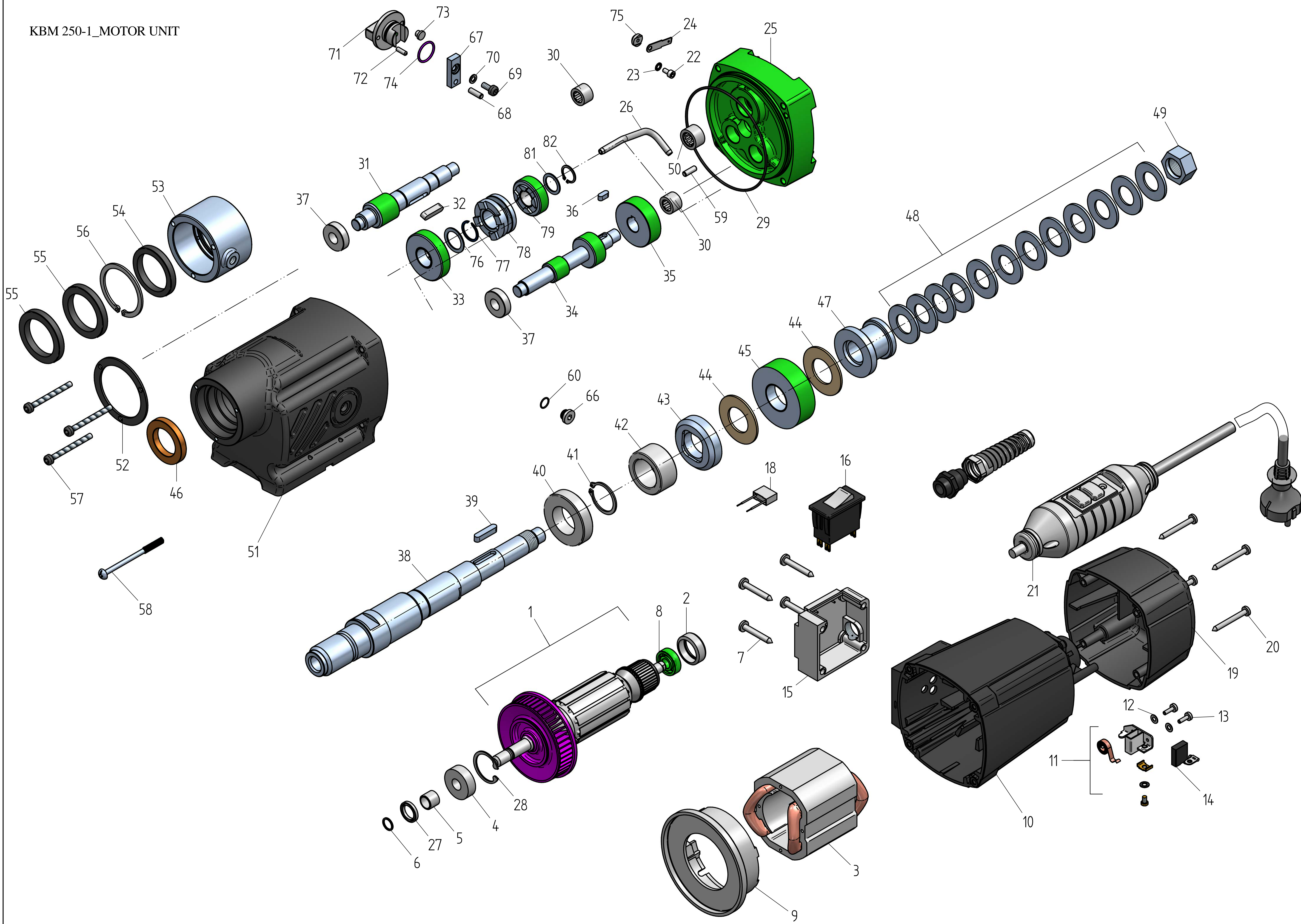


KBM 250-1_MOTOR UNIT



PART NO.	REV:
291440	2

★ PARTS NOT SHOWN IN FIG.

NO.	PART NAME	PART NO.	QTY.
1	Rotor complete	73531100	1
2	Bearing cap	83000031	1
3	Stator complete 73511150 1	73511150	1
4	Grooved ball bearing 6201 RSZ	140903	1
5	Bearing ring 12x15x12,5	80420160	1
6	Circlip SW 12	80200748	1
7	Self tapping screw HC 5,5x38	421701	4
8	Grooved ball bearing 6000 2Z	190902	1
9	Air guiding ring	73511141	1
10	Motor housing	420402	1
11	Brush holder	429910	2
12	Wave washer M4 type B	421704	4
13	CH screw M4x12	161710100	4
14	Auto carbon brush pair	569928	2
15	switch box M16 x 1.5	290414	1
16	switch ETA 12A	80600157	1
17	cable guard M16x1,5	109909102	1
18	anti parasite condenser	111306101	1
19	Back cover	420401	1
20	self tapping screw HC 4,8x45	201716	4
21	connecting cable PRCD	299947	1
22	allen screw M4x8	121761100	1
23	Star washer A4,3	211730	1
24	earth connector	80601189	1
25	end shield of gearing	73511610	1
26	oil tube 73511425	83000042	1
27	shaft seal ring KEIV 15x21x3	83000042	1
28	Int. circlip 32x1,2	80201351	1
29	o ring 106x2	83000092	1
30	needle sleeve HK 1212	80420130	2
31	intermediate shaft	73521500	1
32	fitting key 6x6x25	80200616	1
33	intermediate wheel	73521480	1
34	intermediate shaft	73521510	1
35	intermediate wheel	73511470	1
36	fitting key A5x5x12	80200601	1
37	grooved ball bearing 6001 2Z (12-28-8)	190901	2
38	work spindle	73511420	1
39	fitting key 6x6x28	80200614	1
40	grooved ball bearing 6006 2RS	80410071	1
41	locking ring 30x1,5	80201330	1
42	needle bearing NKS 30	80420156	1
43	supporting disc	73531425	1
44	braking disk	85000076	2
45	spindle wheel	73511430	1
46	oil seal 30-47-7	290301	1
47	thrust sleeve	73511423	1
48	spring washer 40x20,4x2,5	80200721	12
49	hexagonal nut M20x1,5	73511429	1
50	needle sleeve HK 1512	80420143	1
51	Gear case machining	290121	1
52	gear box seal/Washer $\Phi 71 \times \Phi 55,5 \times 2$	83000099	1
53	connecting ring	73511410	1
54	shaft seal ring 40x52x7	83000073	1
55	shaft seal ring 40x55x7	83000074	2
56	locking ring J 52	80201392	1
57	allen screw M5x55	80201211	3
58	self tapping screw HC 5,5x80	80201227	4
59	Dowel 5 x 15	291719	1
60	seal ring 1/8"	83000106	2
65	notched pin plug 5x16	80200580	1
66	cap screw 1/8"	80201406	1
67	gear lever	73521542	1
68	cylinder pin 5x16	80200597	1
69	screw M5x12	80201230	1
70	lock washer S6	80201362	1
71	switch button	73521540	1
72	cylinder pin 4x12	80200578	1
73	spring loaded thrust pad	85000157	1
74	o ring 18,77x1,75	83000081	1
75	locking nut M4	73631188	1
76	fitting washer 19x24,5x1	73521494	1
77	circlip SW 19	80200743	1
78	switch-actuating wheel	73521550	1
79	intermediate wheel	73521470	1
81	fitting washer 16/22x1	80200514	1
82	locking ring 16/1	80201316	1
83	water connector *	299939	1
84	connecting ring, premounted	7351141U	1